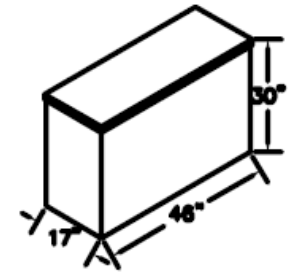
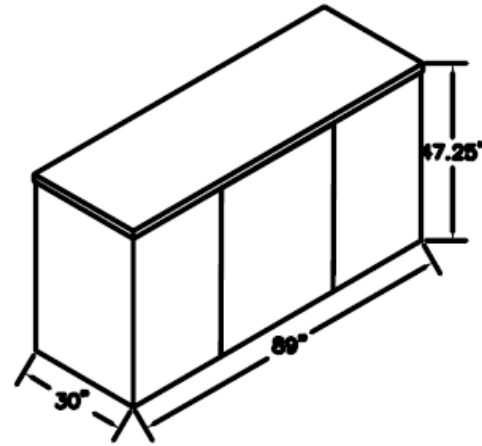
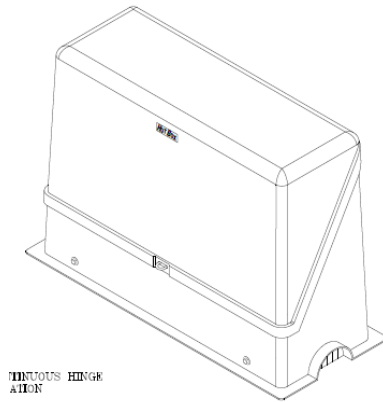
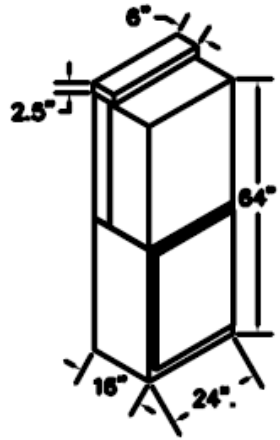


# Art Wrap Specs- O&M



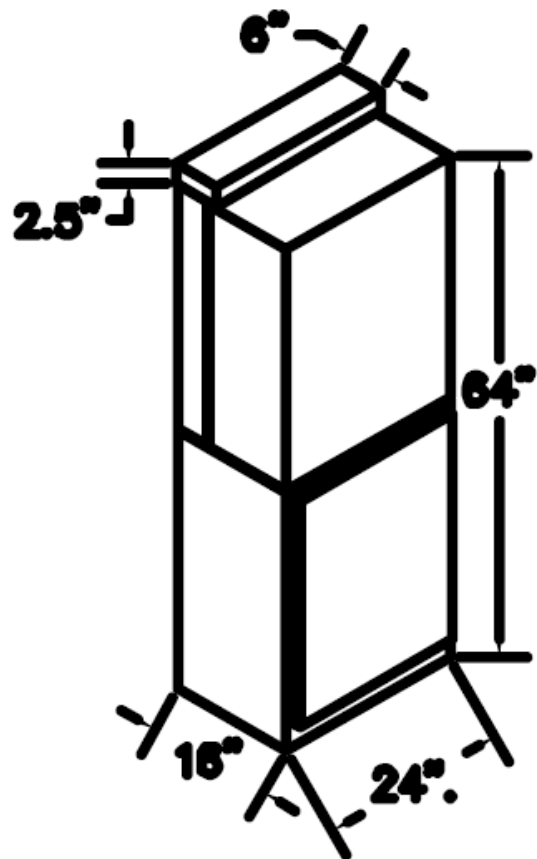
A

B

C

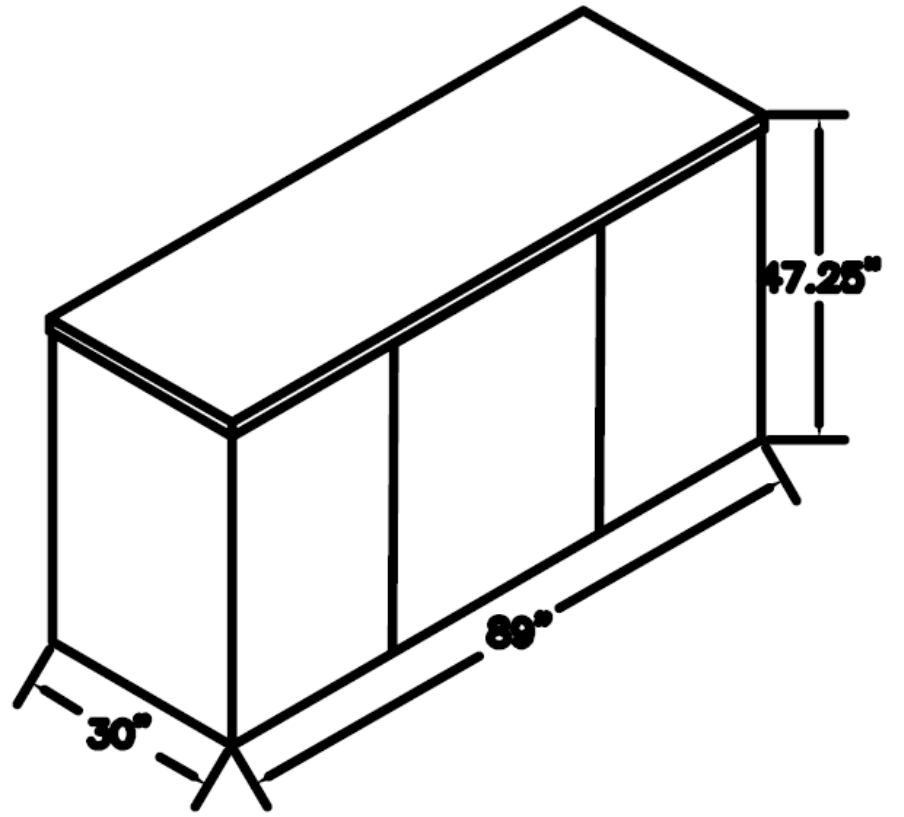
D

## A Specs (Illumination box)





# C Specs (3" RDPA)



## D Specs (2" RDPA Irrigation)

