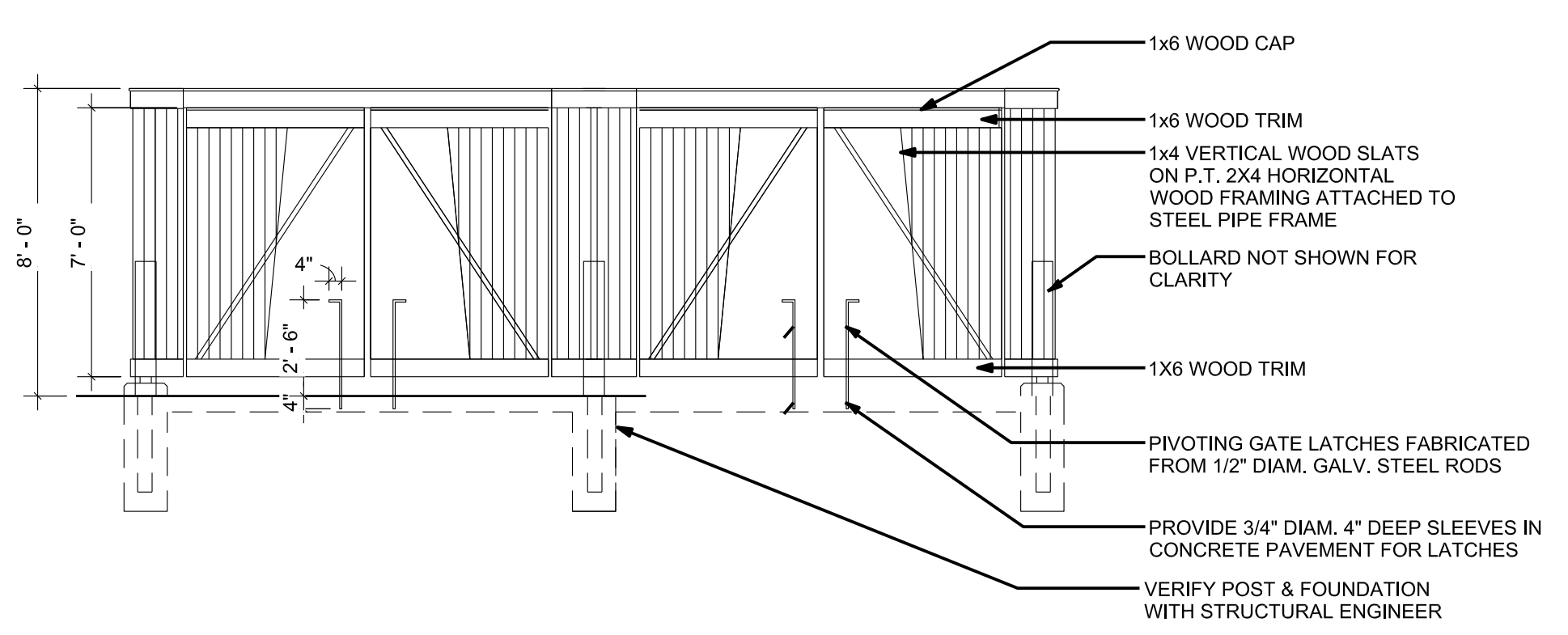
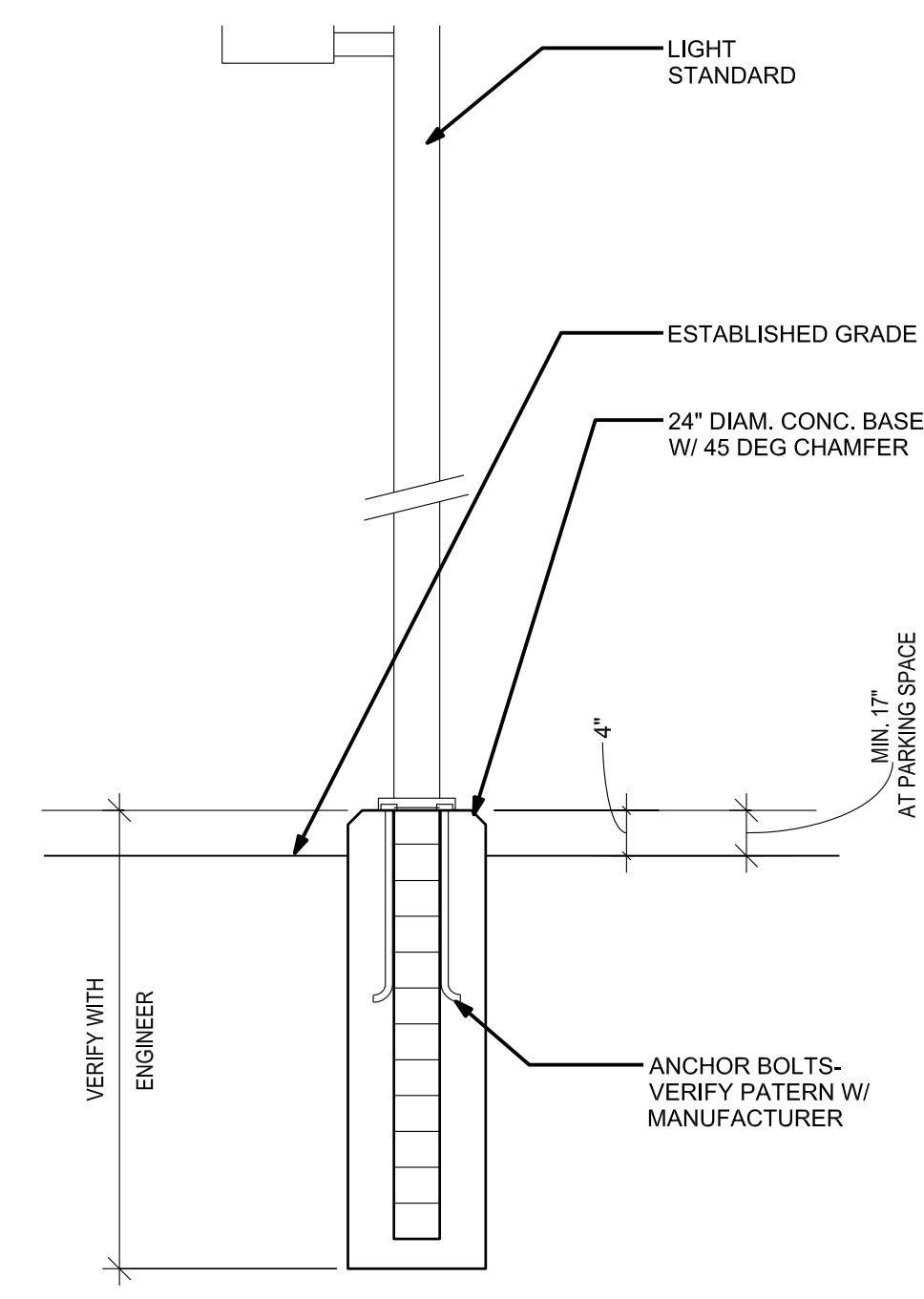


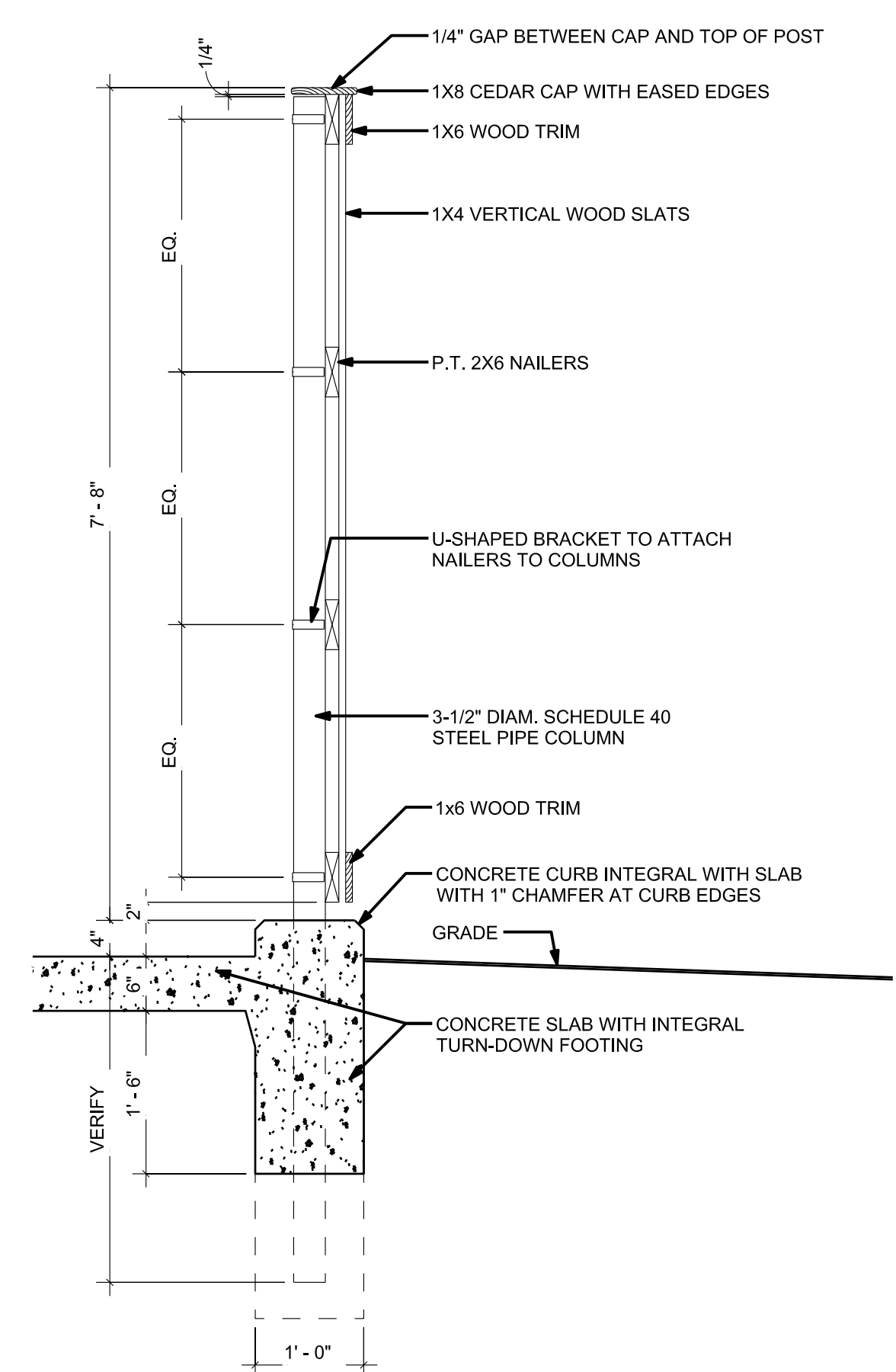
3 TRASH ENCLOSURE ELEVATION
SCALE: 1/4" = 1'-0"



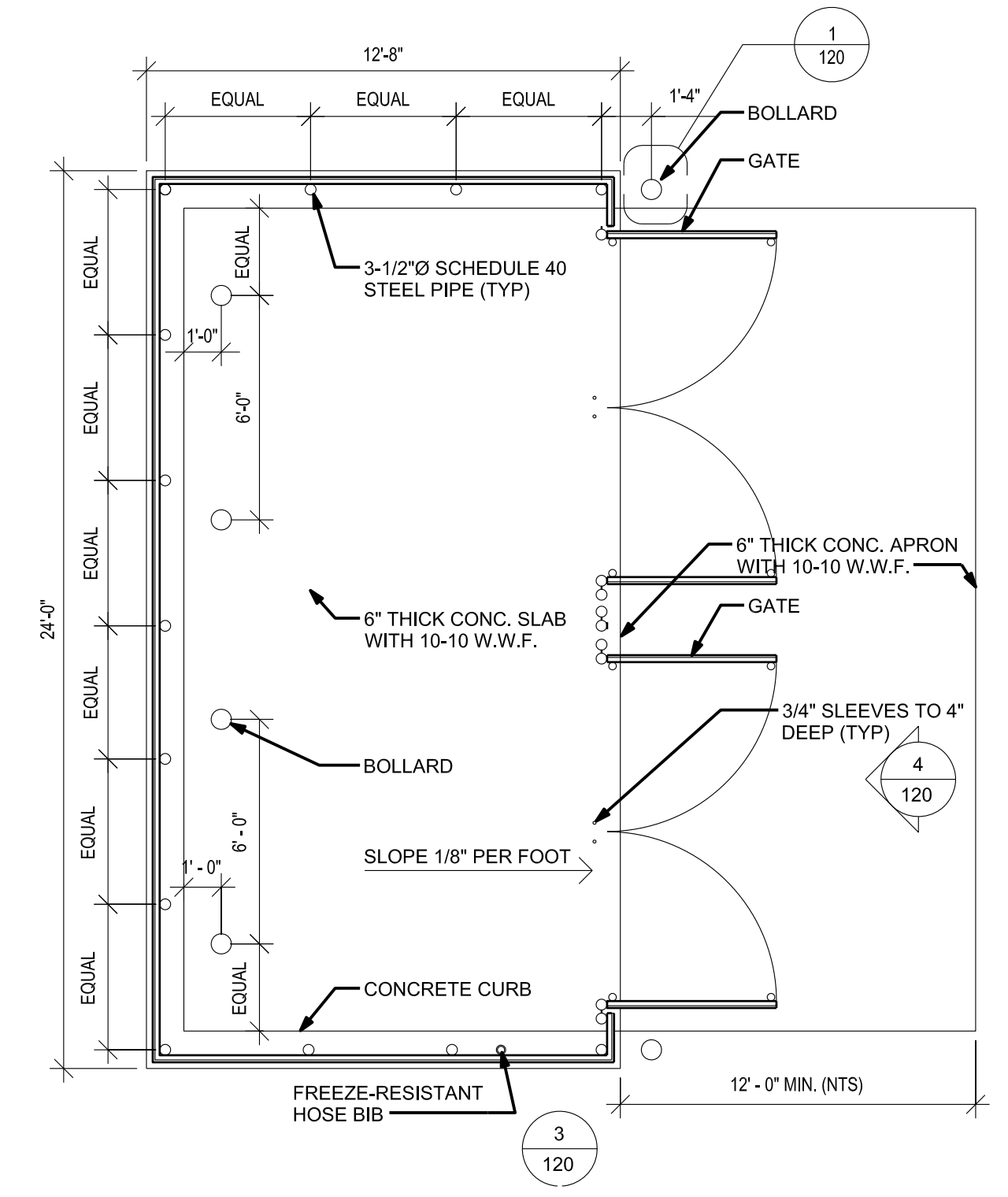
4 TRASH ENCLOSURE GATE OPEN
SCALE: 1/4" = 1'-0"



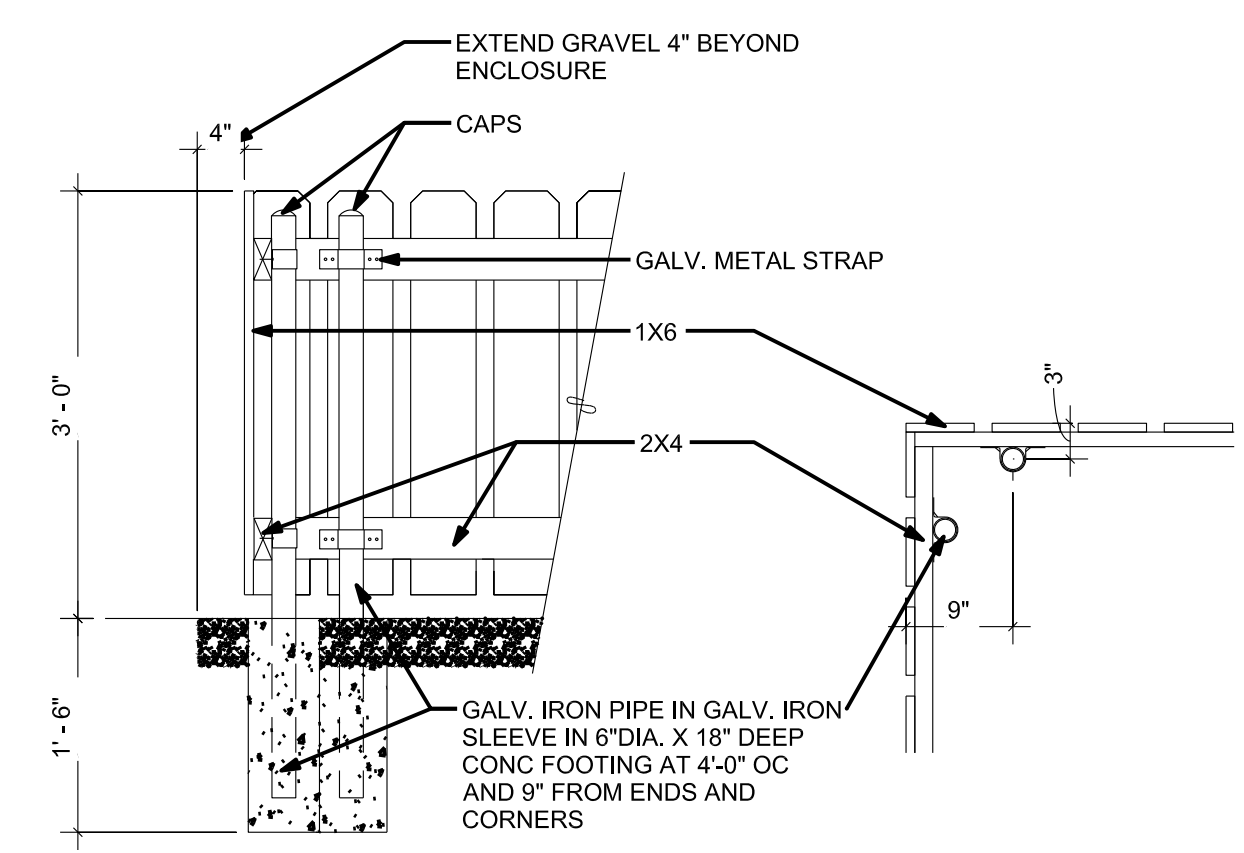
7 SITE LIGHT POLE
SCALE: 3/4" = 1'-0" REFERENCED FROM: 100



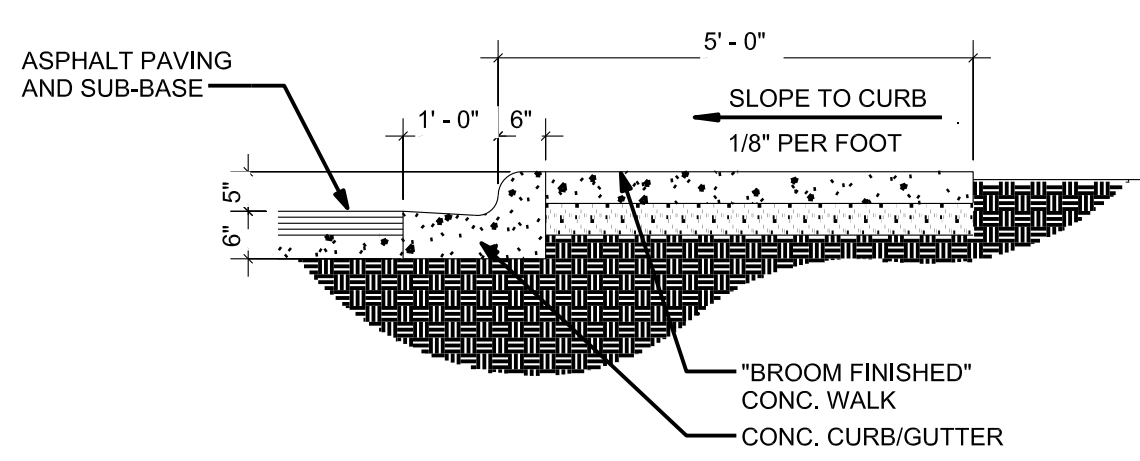
6 TRASH ENCLOSURE SECTION
SCALE: 3/4" = 1'-0"



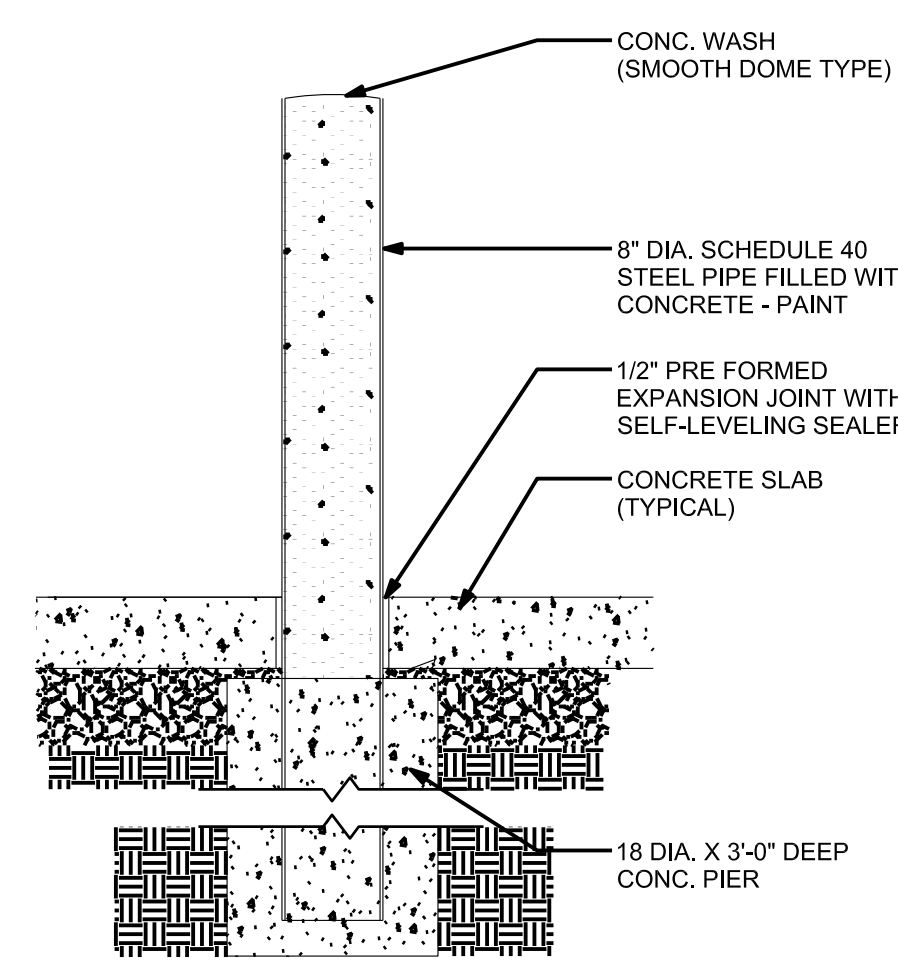
2 TRASH ENCLOSURE PLAN
SCALE: 1/4" = 1'-0" REFERENCED FROM: 100



8 CONDENSER FENCE ELEVATION
SCALE: 3/4" = 1'-0"



5 SIDEWALK CURB DETAIL
SCALE: 1/2" = 1'-0"



1 BOLLARD DETAIL
SCALE: 3/4" = 1'-0"

7227
REGISTERED ARCHITECT
DALE SWEENEY
STATE OF WASHINGTON

Dale Sweeney
ARCHITECT
5715 143rd Place SE
Bellevue, WA 98006

JOB NO.
DATE:
DWN. BY: Author
CHKD. BY: Checker
RVS.:

REVISIONS
Revision Description
PERMIT SUBMITTAL
NO. DATE
1 8/22/2017

TOWNE PLACE SUITES
HOTEL CONCEPTS
FEDERAL WAY, WA

SITE DETAILS/DUMPSTER

PRINT DATE:
10/24/2019 3:15:45 PM
SHEET NO.

A101

RECEIVED
OCT 30 2019
CITY OF FEDERAL WAY
COMMUNITY DEVELOPMENT

PRELIMINARY DRAWINGS- NOT FOR CONSTRUCTION