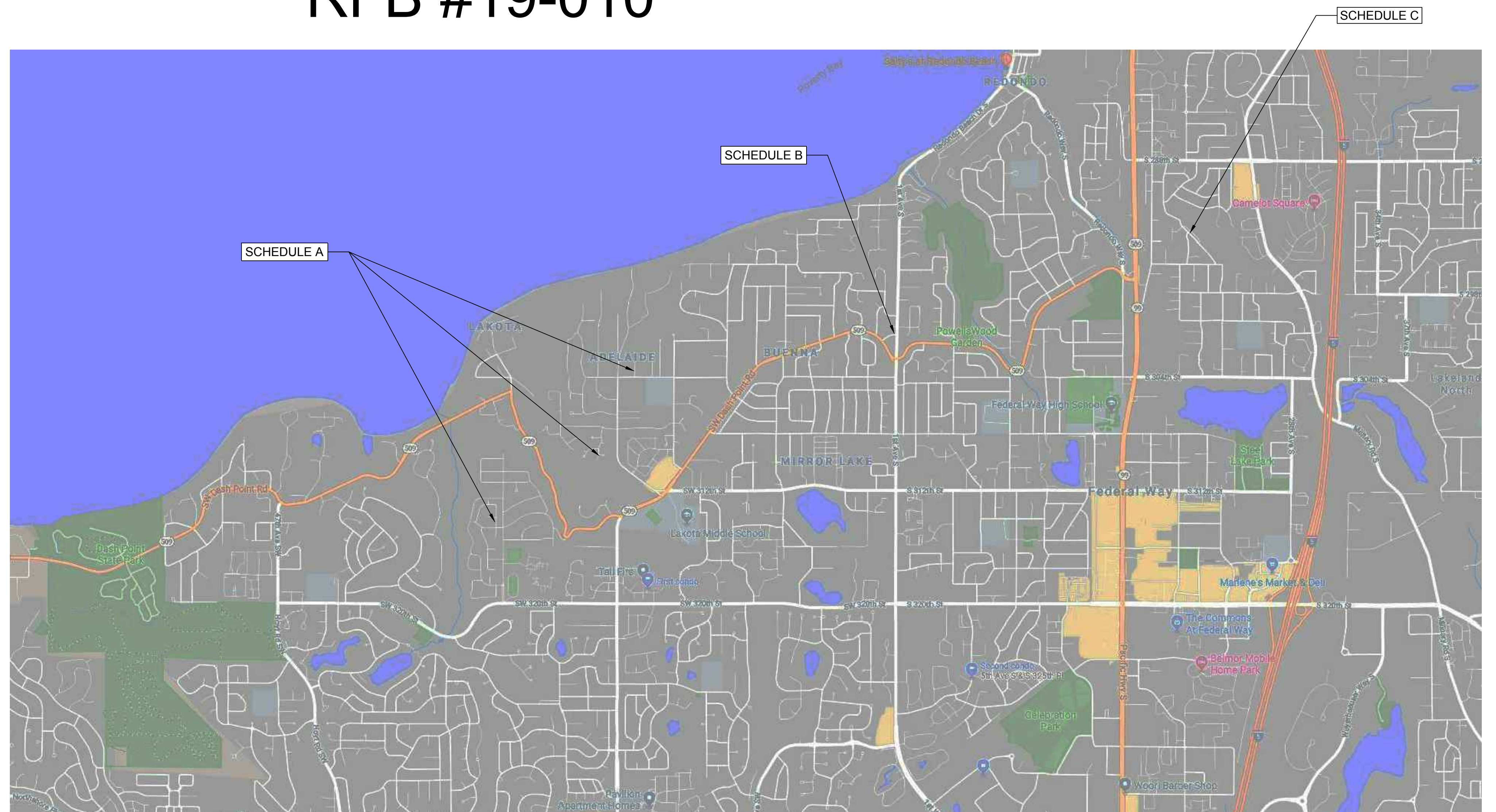


# CITY OF FEDERAL WAY PUBLIC WORKS DEPARTMENT FEDERAL WAY, WASHINGTON 2019 STORM PIPE REPAIR PHASE 2 PROJECT #34288 RFB #19-010

DRAWING INDEX		
COUNT	SHT#	DESCRIPTION
01	G01	COVER SHEET
02	G02	KEY MAP, NOTES, AND LEGEND
03	C01	SITE PLAN FOR PIPE #18863 (SCHEDULE A)
04	C02	SITE PLAN FOR PIPE #4140 (SCHEDULE A)
05	C03	SITE PLAN FOR PIPE #3866 (SCHEDULE A)
06	C04	SITE PLAN FOR PIPE #21224 (SCHEDULE B)
07	C05	SITE PLAN FOR PIPES #13170 & #13172 (SCHEDULE C)

ABBREVIATIONS	
ACP	ASPHALT CONCRETE PAVEMENT
CB	CATCHBASIN
CONC	CONCRETE
ESC	EROSION SEDIMENTATION CONTROL
EX.	EXISTING
G	UNDERGROUND GAS
LF	LINEAR FEET
NTS	NOT TO SCALE
OH	OVERHEAD LINE
PWR	UNDERGROUND POWER
RFB	REQUEST FOR BID
SD	STORM DRAIN
SS	SANITARY SEWER
TEL	UNDERGROUND TELEPHONE
W	WATER



I:\CF\FILE\IS\WMD\Temp\In progress\le - 2019 cipp pipe repair project\GENERAL SHEETS.dwg, 11/14/2019



DRAFTED: PFH  
DESIGNED: FT  
REVIEWED: KS  
APPROVED: SH



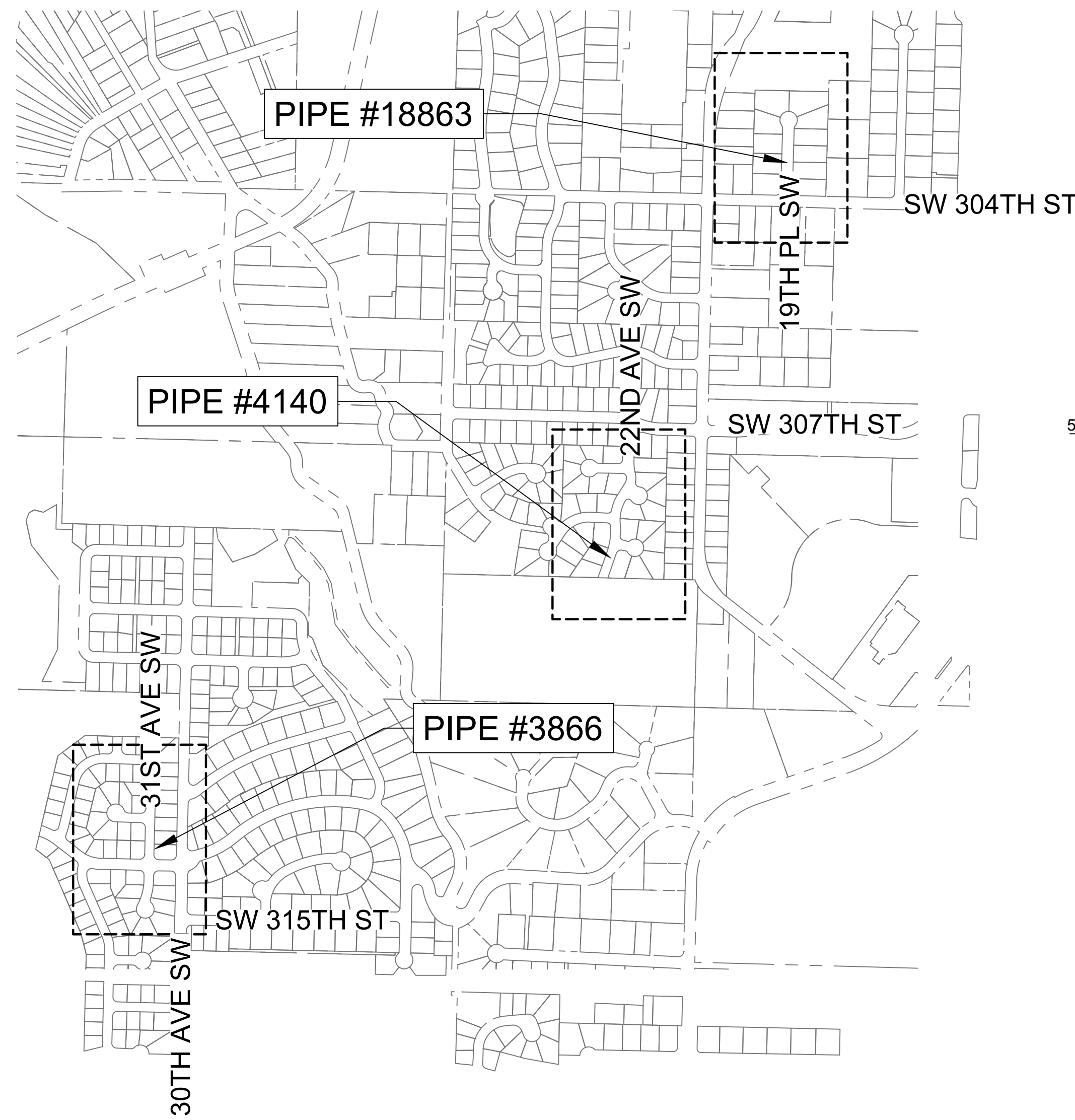
DRAWING VERSION / REVISION LOG		
NO.	DATE	REVISION

**ESC NOTES**

1. ESC MEASURES MUST BE INSTALLED AND PROPERLY FUNCTIONING PRIOR TO OR IN CONJUNCTION WITH ALL CLEARING AND GRADING SO AS TO ENSURE THAT TRANSPORT OF SEDIMENT TO SURFACE WATERS, DRAINAGE SYSTEMS, AND ADJACENT PROPERTIES IS MINIMIZED.
2. ESC MEASURES SHOWN ON THIS PLAN, IF ANY, ARE THE MINIMUM REQUIREMENTS FOR ANTICIPATED SITE CONDITIONS. DURING CONSTRUCTION, THESE ESC MEASURES SHALL BE UPGRADED AS NEEDED AT NO ADDITIONAL COST TO THE CITY FOR UNEXPECTED STORM EVENTS AND MODIFIED TO ACCOUNT FOR CONTRACTOR'S MEANS AND METHODS OF CONSTRUCTION.
3. ESC FACILITIES SHALL BE INSPECTED DAILY BY CONTRACTOR'S ESC SUPERVISOR AND MAINTAINED TO ENSURE CONTINUED PROPER FUNCTIONING.
4. ANY AREAS OF EXPOSED SOILS, INCLUDING ROADWAY EMBANKMENTS, THAT WILL NOT BE DISTURBED FOR TWO CONSECUTIVE DAYS DURING WET SEASON OR SEVEN DAYS DURING DRY SEASON SHALL BE IMMEDIATELY STABILIZED WITH APPROVED ESC METHODS.
5. ANY AREA NEEDING ESC MEASURES THAT DO NOT REQUIRE IMMEDIATE ATTENTION SHALL BE ADDRESSED WITHIN SEVEN (7) DAYS.
6. AT NO TIME SHALL MORE THAN ONE (1) FOOT OF SEDIMENT BE ALLOWED TO ACCUMULATE WITHIN A CATCH BASIN. ALL CATCHBASINS AND CONVEYANCE LINES SHALL BE CLEANED PRIOR TO PAVING. CLEANING OPERATION SHALL NOT FLUSH SEDIMENT-LADEN WATER INTO DOWNSTREAM SYSTEM.
7. PRIOR TO BEGINNING OF WET SEASON (OCT. 1), ALL DISTURBED AREAS SHALL BE REVIEWED TO IDENTIFY WHICH ONES CAN BE SEEDED IN PREPARATION FOR WINTER RAINS. DISTURBED AREAS SHALL BE SEEDED WITHIN ONE WEEK OF BEGINNING OF WET SEASON. A SKETCH MAP OF THOSE AREAS TO BE SEEDED AND THOSE AREAS TO REMAIN UNCOVERED SHALL BE SUBMITTED TO ENGINEER.
8. INSTALL INLET PROTECTION PER WSDOT STANDARD PLAN I-40.20-00 ON ALL STORM DRAIN INLETS NEAR CONSTRUCTION SITE THAT MAY CATCH RUNOFF FROM CONSTRUCTION SITE.

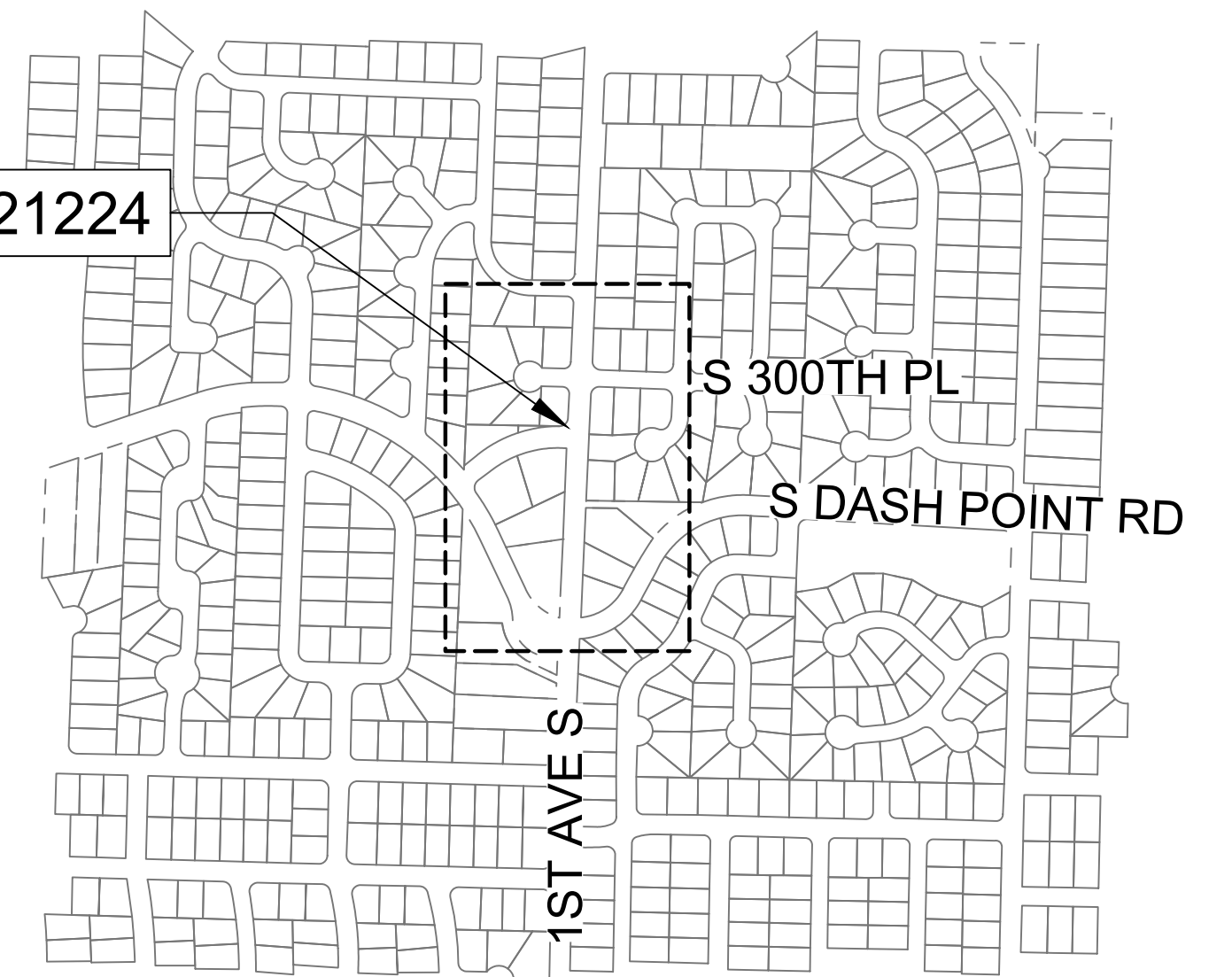
**GENERAL NOTES**

1. CURRENT CONDITIONS MAY DIFFER THAN IS SHOWN ON AERIAL IMAGES. CONTRACTOR SHALL INVESTIGATE PROJECT SITE AND BID THE PROJECT BASED ON CURRENT SITE CONDITIONS.
2. PIPE LOCATION, LENGTH, DEPTH AND DIAMETER ARE APPROXIMATE ESTIMATE ONLY. CONTRACTOR SHALL FIELD VERIFY THE INFORMATION PRIOR TO CIPP INSTALLATION.
3. PIPE MATERIAL TYPE CHANGE COULD OCCUR WITHIN SOME PIPES AS A RESULT OF REPLACING FAILED PIPE SEGMENTS IN THE PAST.
4. GROUNDWATER BASE FLOW WILL LIKELY EXIST IN SOME PIPES DURING CONSTRUCTION. CONTRACTOR SHALL TAKE NECESSARY MEASURES TO BYPASS BASE FLOW PRIOR TO CIPP INSTALLATION.
5. ACCESS TO SOME PIPES CAN BE DIFFICULT. CONTRACTOR SHALL BID THE PROJECT AFTER CAREFULLY EXAMINING THE EXISTING CONDITIONS.
6. NOT ALL EXISTING UTILITIES ARE SHOWN ON PLAN. CONTRACTOR SHALL INSPECT SITE AND CONTACT UTILITY OWNERS/OPERATORS TO DETERMINE UTILITY LOCATIONS WHERE NECESSARY.

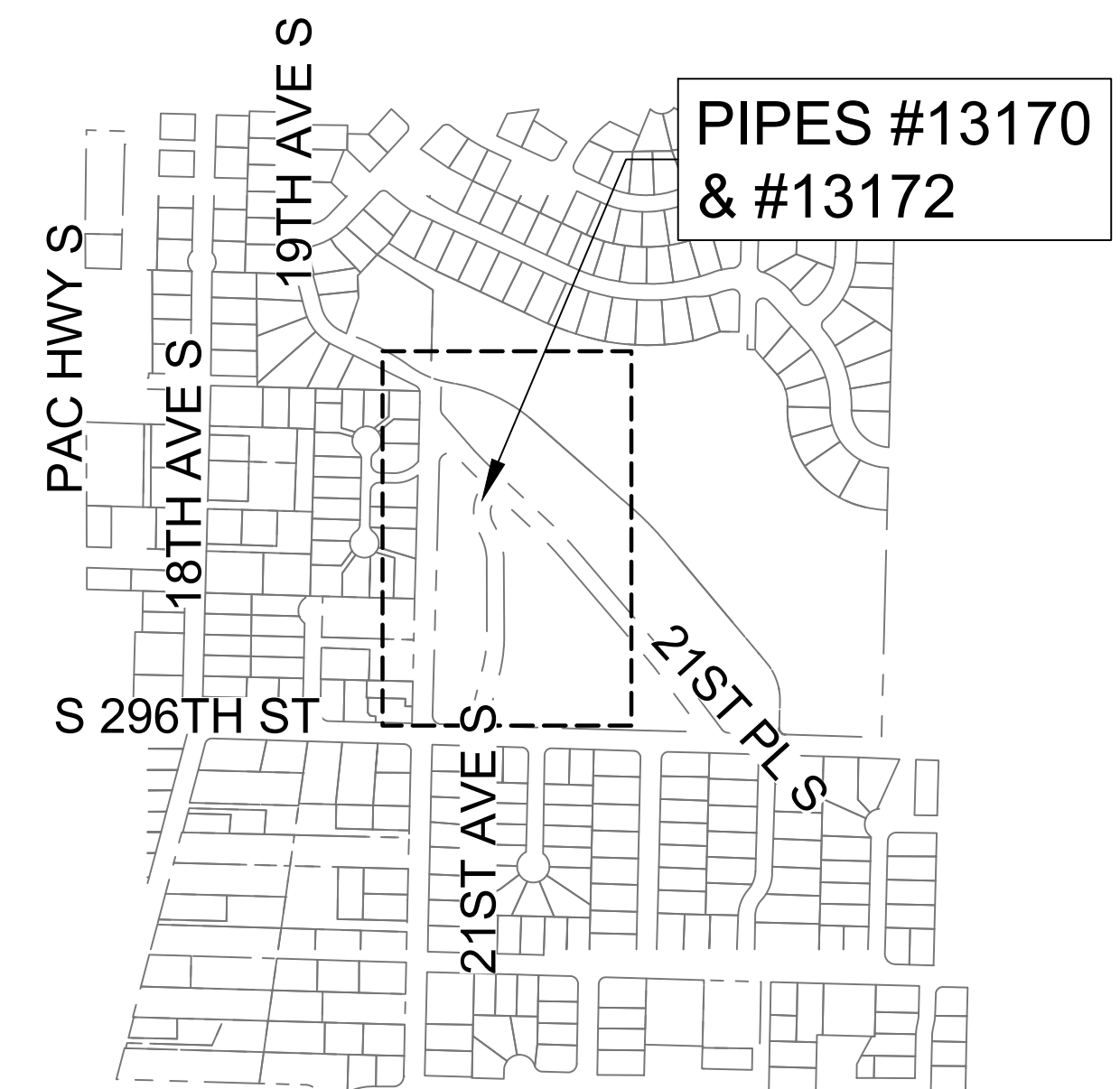
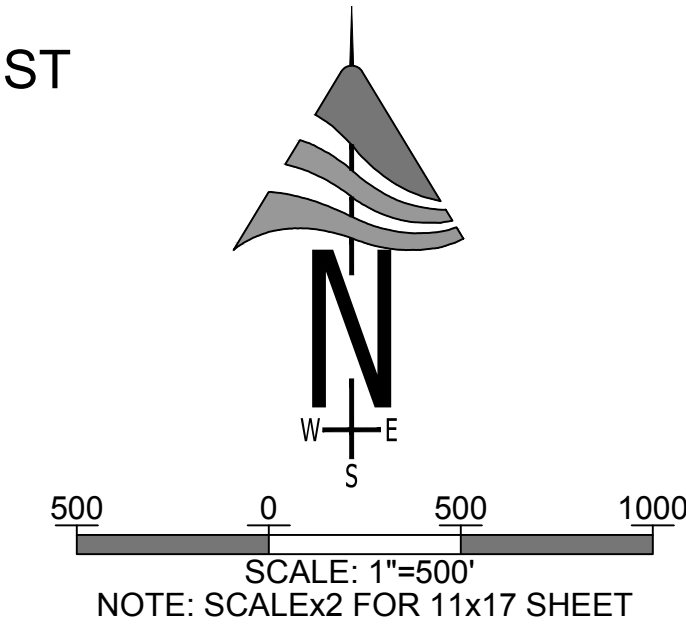


**SCHEDULE A**

PIPE #21224



**SCHEDULE B**



**SCHEDULE C**

**LEGEND**

	STORM PIPE TO BE REPAIRED		SANITARY SEWER PIPE
	OVERHEAD LINES		WATER MAIN
	STORM PIPE		ROW/PL LINES
	GAS MAIN		SANITARY MANHOLE
	BURIED ELECTRICAL		EXISTING STORM CATCH BASIN
	BURIED COMMUNICATION CABLE		END OF PIPE

I:\CF\FILE\15\WMD\Temp\In progress\1e - 2019 cipp pipe repair project\GENERAL SHEETS.dwg, 11/14/2019

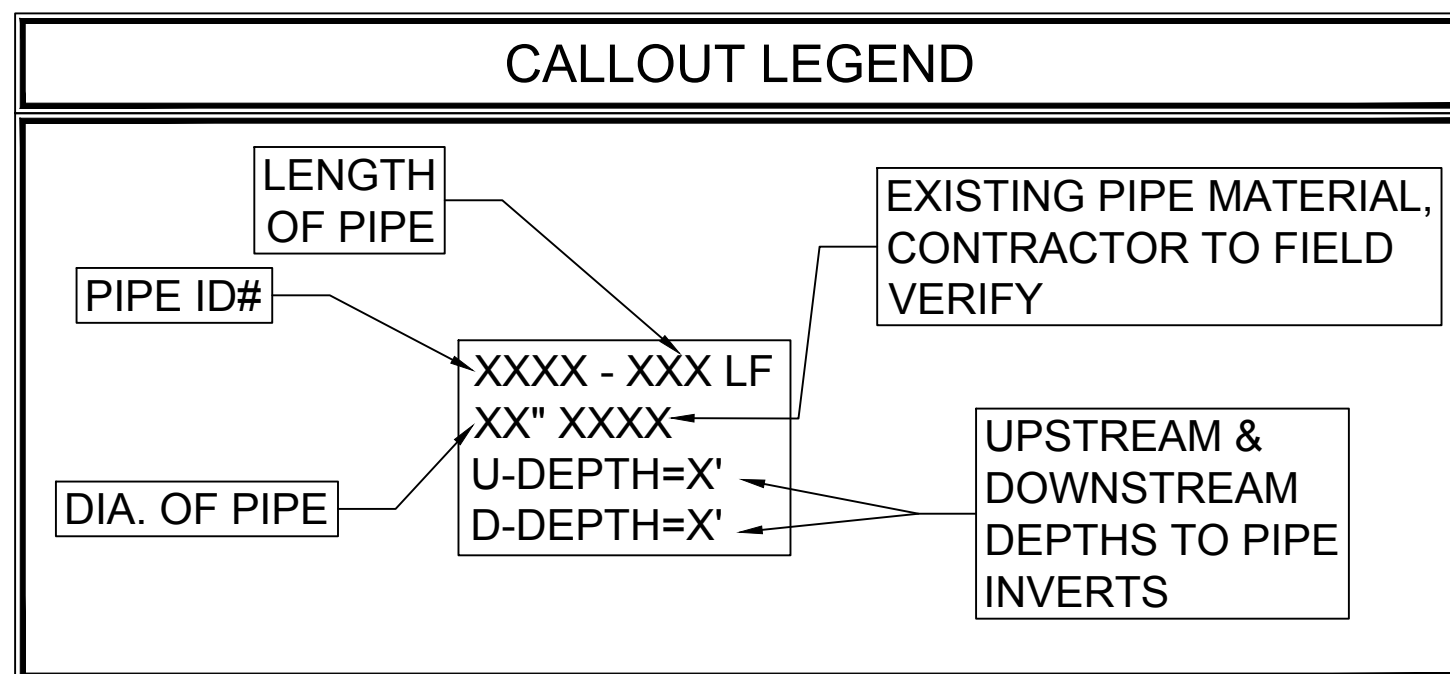
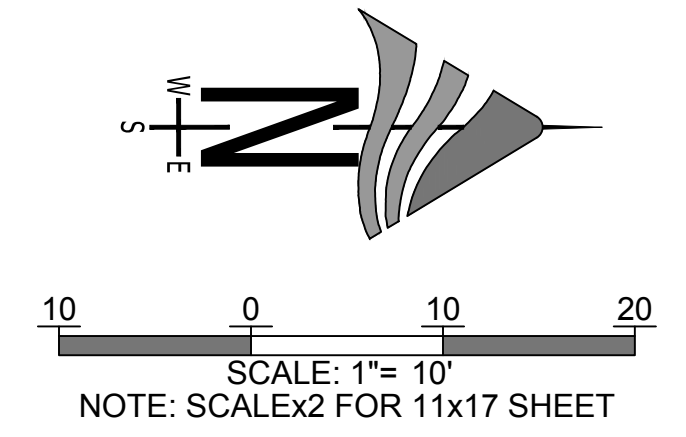
DRAFTED: PFH  
DESIGNED: FT  
REVIEWED: KS  
APPROVED: SH

**DRAWING VERSION / REVISION LOG**

NO.	DATE	REVISION

**2019 STORM PIPE REPAIR PHASE 2**  
**KEY MAP, NOTES, AND LEGEND**

CITY PROJECT #:  
**34288**  
SHT. **02**  
OF **07**



CONTRACTOR SHALL ENSURE MAIL SERVICE IS NOT INTERRUPTED DURING CONSTRUCTION AND SHALL COORDINATE WITH POSTAL SERVICE ON DELIVERY TIME

\\cfile\iswmdata\temp\in progress\leir - 2019 cipp pipe repair project\DesignPlans.DWG, 11/13/2019



DRAFTED: PFH  
 DESIGNED: FT  
 REVIEWED: KS  
 APPROVED: SH

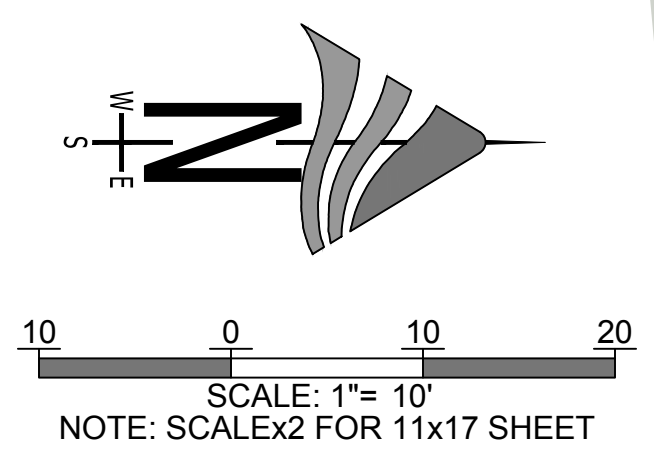
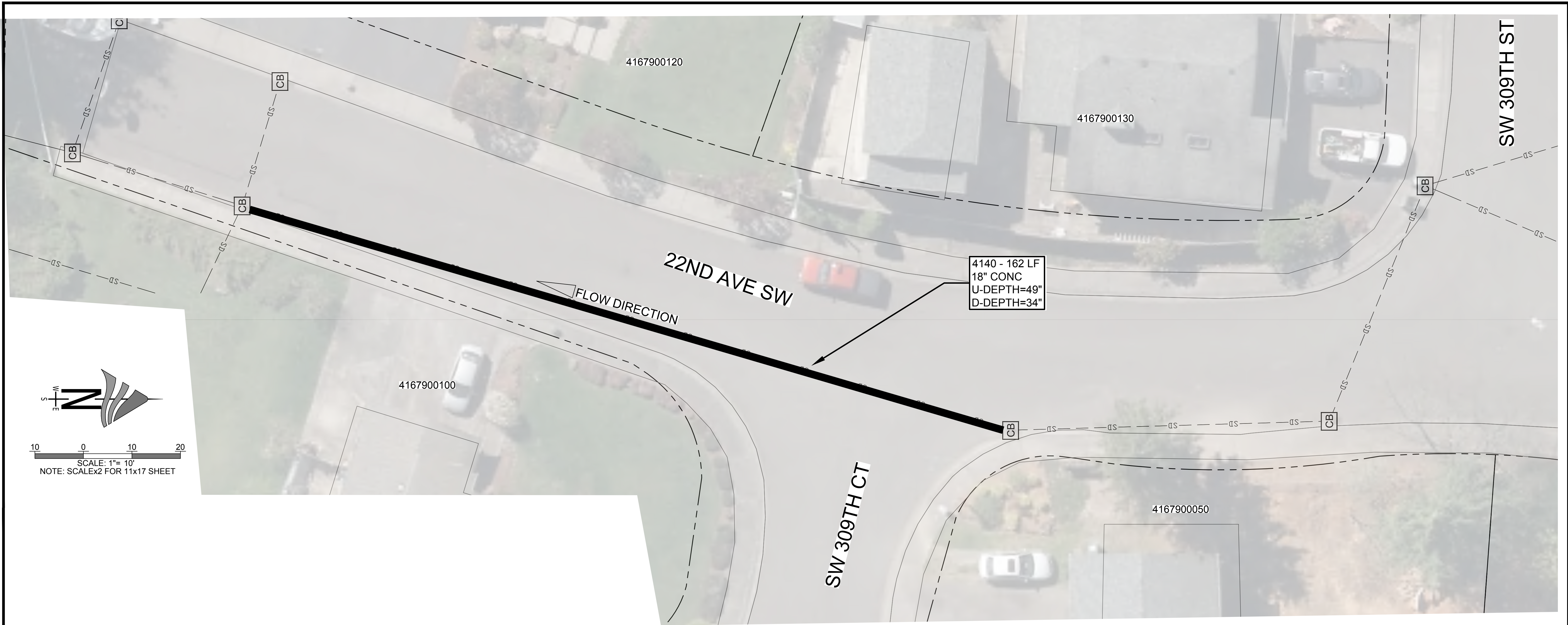


DRAWING VERSION / REVISION LOG		
NO.	DATE	REVISION

2019 STORM PIPE REPAIR PHASE 2

SITE PLAN FOR PIPE #18863 (SCHEDULE A)

CITY PROJECT #:  
 34288  
 SHT. 03  
 OF 07



CALLOUT LEGEND	
LENGTH OF PIPE	EXISTING PIPE MATERIAL, CONTRACTOR TO FIELD VERIFY
PIPE ID#	
DIA. OF PIPE	UPSTREAM & DOWNSTREAM DEPTHS TO PIPE INVERTS

I:\CF\FILE\IS\WMD\Temp\in progress\le - 2019 cipp pipe repair project\DesignPlans.DWG. 11/13/2019

**CITY OF Federal Way**  
Centered on Opportunity  
33325 8TH AVE S FEDERAL WAY, WA 98003  
PHONE: (253) 835-2700  
WWW.CITYOFFEDERALWAY.COM

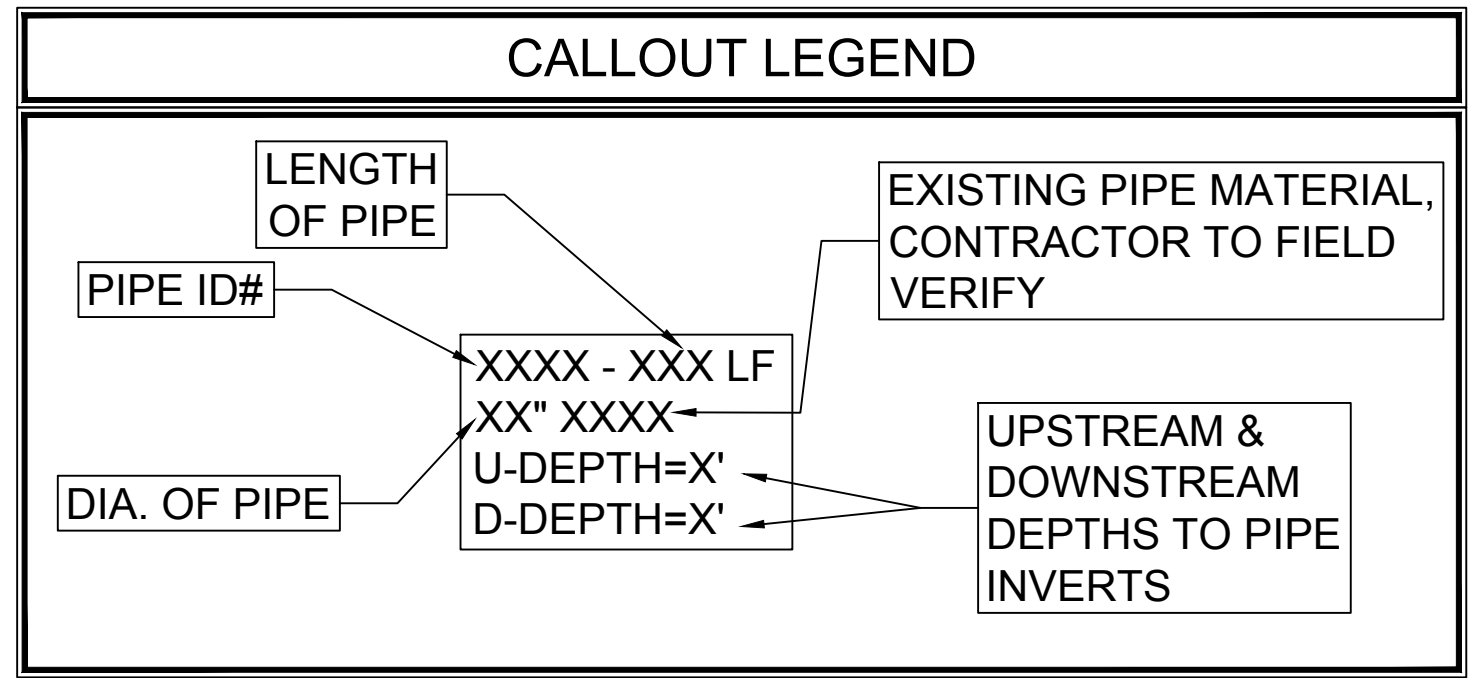
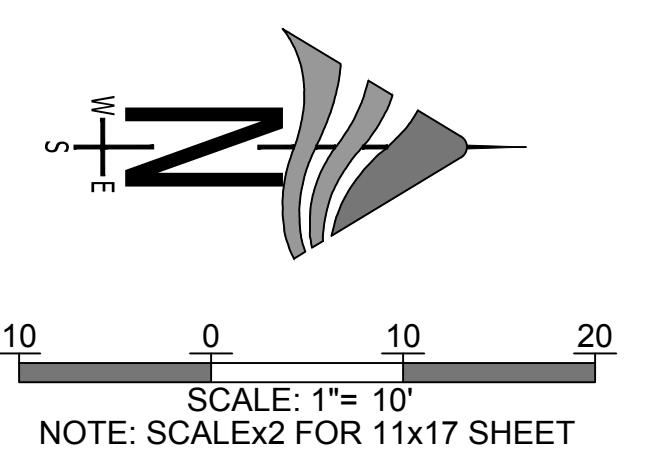
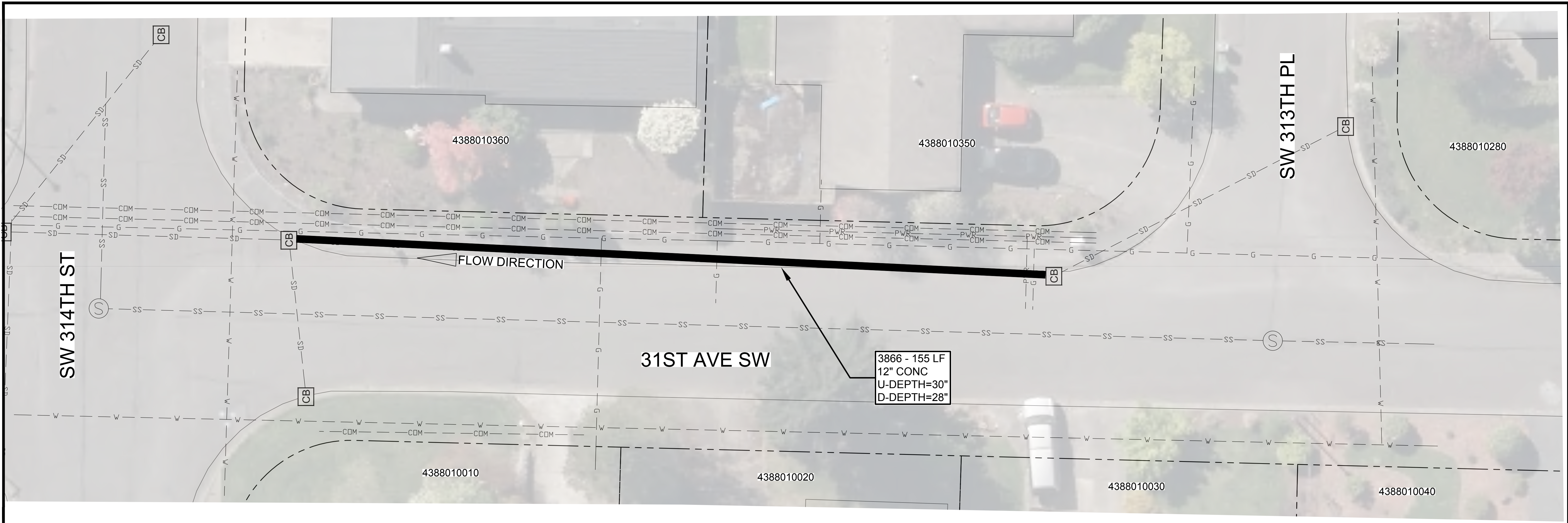
**811**  
Know what's below.  
Call before you dig.

DRAFTED: PFH
DESIGNED: FT
REVIEWED: KS
APPROVED: SH

DRAWING VERSION / REVISION LOG		
NO.	DATE	REVISION

**2019 STORM PIPE REPAIR PHASE 2**  
**SITE PLAN FOR PIPE #4140 (SCHEDULE A)**

CITY PROJECT #:	34288
SHT.	04
OF	07



\\cfile\iswmdata\temp\plan progress\ier - 2019 cipp pipe repair project\DesignPlans.DWG, 11/13/2019

**CITY OF Federal Way**  
Centered on Opportunity  
33325 8TH AVE S FEDERAL WAY, WA 98003  
PHONE: (253) 835-2700  
WWW.CITYOFFEDERALWAY.COM

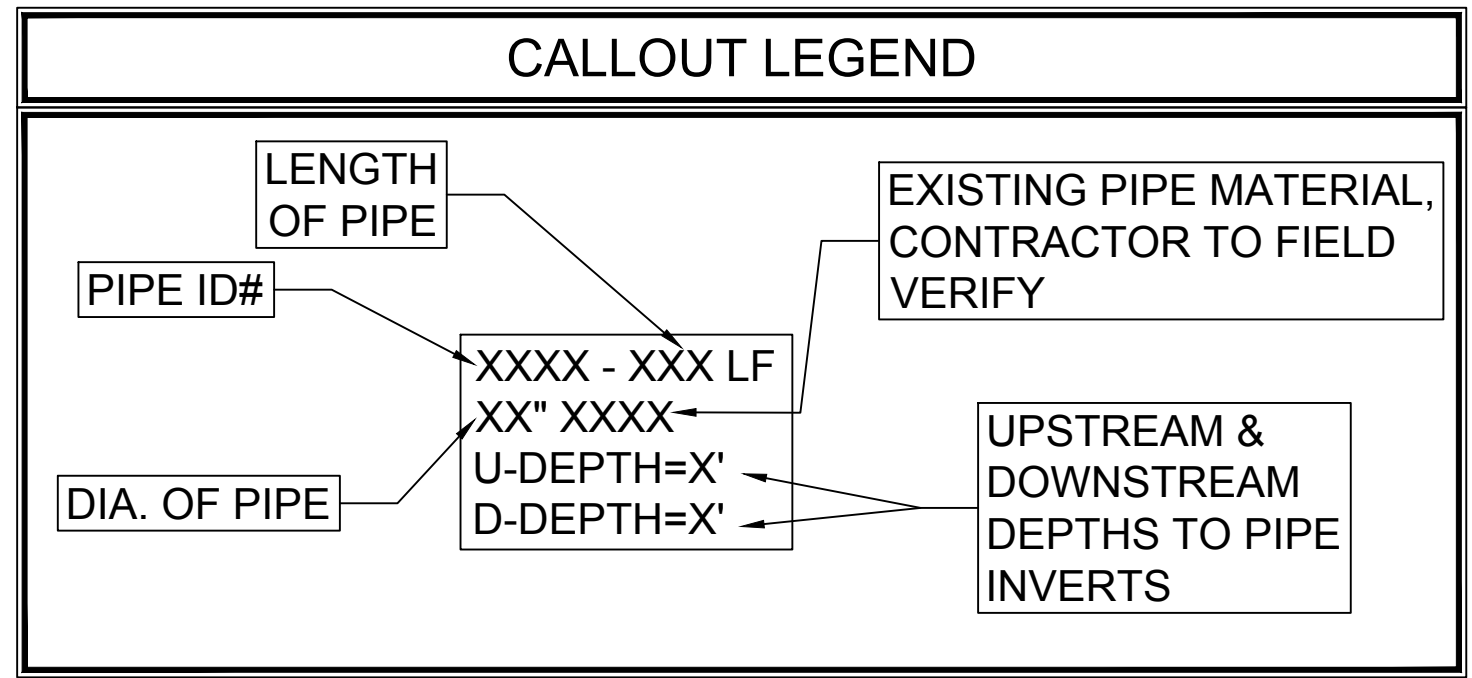
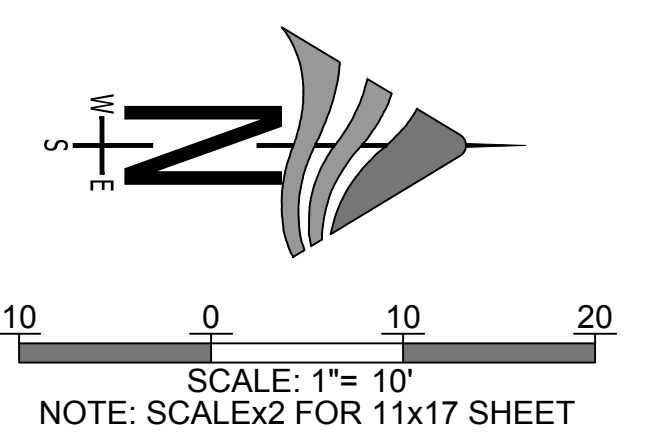
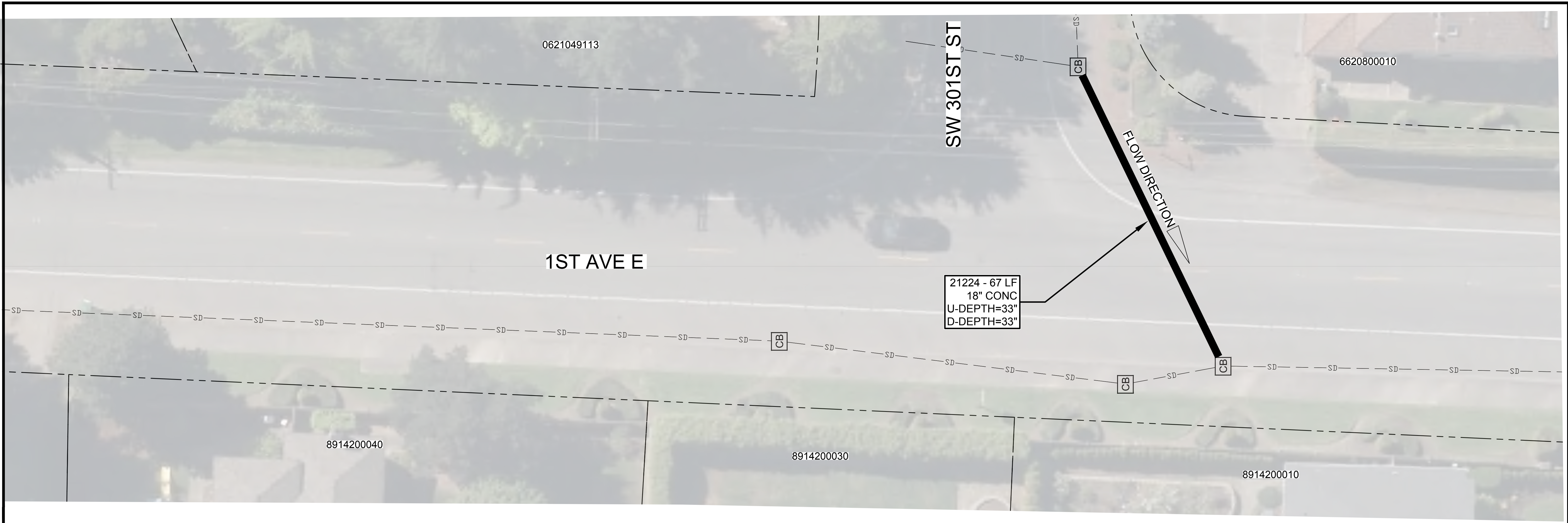
**811**  
Know what's below.  
Call before you dig.

DRAFTED: PFH  
DESIGNED: FT  
REVIEWED: KS  
APPROVED: SH

DRAWING VERSION / REVISION LOG		
NO.	DATE	REVISION

**2019 STORM PIPE REPAIR PHASE 2**  
**SITE PLAN FOR PIPE #3866 (SCHEDULE A)**

CITY PROJECT #:  
**34288**  
SHT. **05**  
OF **07**



\\cfile\iswmdata\temp\in progress\ier - 2019 cipp pipe repair project\DesignPlans.DWG, 11/13/2019

**CITY OF Federal Way**  
Centered on Opportunity  
33325 8TH AVE S FEDERAL WAY, WA 98003  
PHONE: (253) 835-2700  
WWW.CITYOFFEDERALWAY.COM

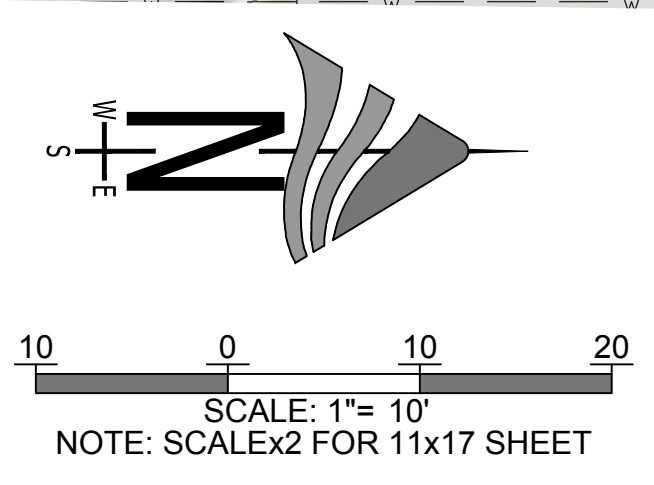
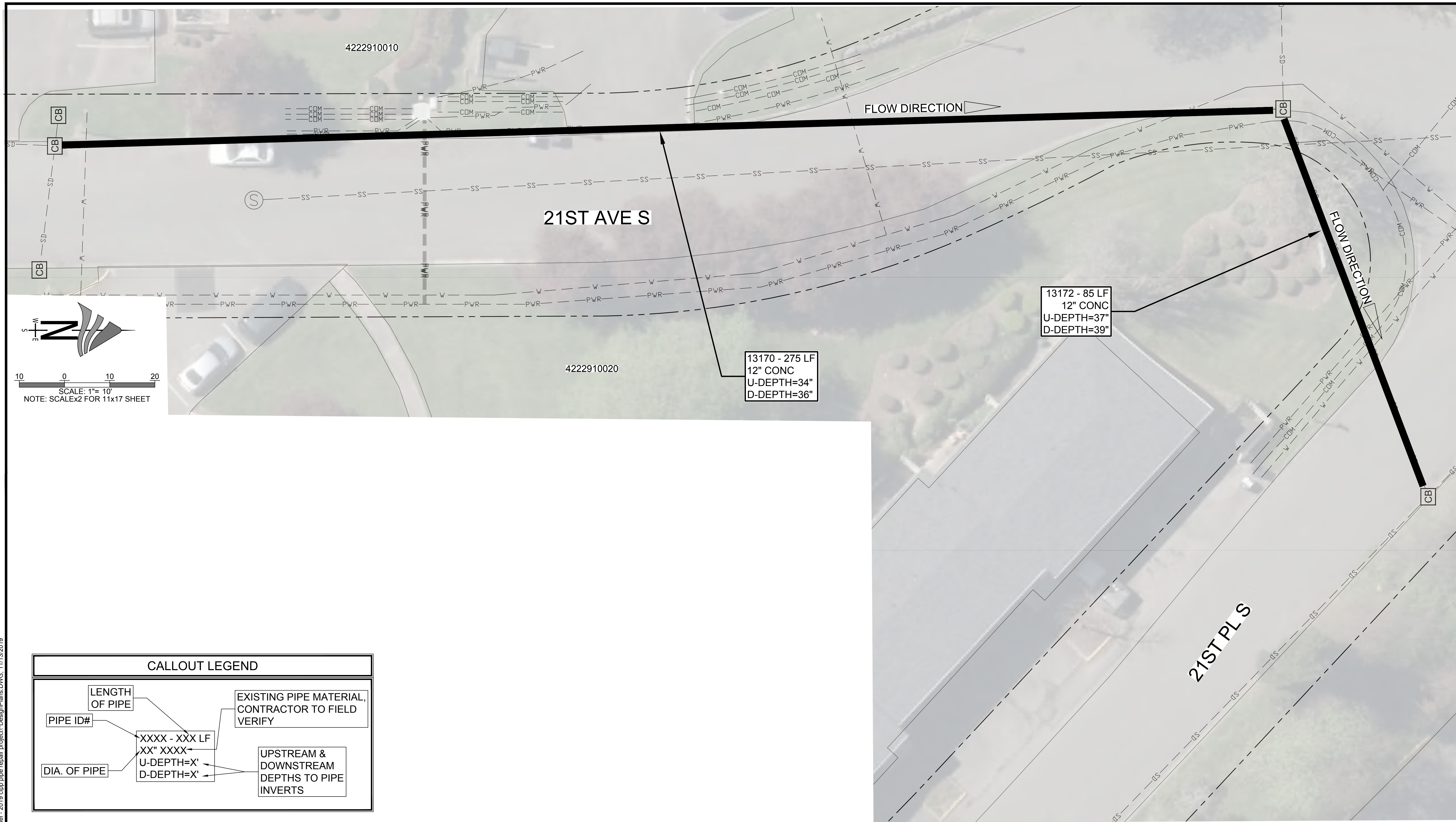
**811**  
Know what's below.  
Call before you dig.

DRAFTED: PFH  
DESIGNED: FT  
REVIEWED: KS  
APPROVED: SH

DRAWING VERSION / REVISION LOG		
NO.	DATE	REVISION

**2019 STORM PIPE REPAIR PHASE 2**  
**SITE PLAN FOR PIPE #21224 (SCHEDULE B)**

CITY PROJECT #:  
**34288**  
SHT. **06**  
OF **07**



CALLOUT LEGEND	
LENGTH OF PIPE	EXISTING PIPE MATERIAL, CONTRACTOR TO FIELD VERIFY
PIPE ID#	UPSTREAM & DOWNSTREAM DEPTHS TO PIPE INVERTS
DIA. OF PIPE	
XXXX - XXX LF	
XX" XXXX	
U-DEPTH=X'	
D-DEPTH=X'	

I:\CF\FILE\15\WMD\Temp\in progress\le - 2019 cipp pipe repair project\DesignPlans.DWG. 11/13/2019

**CITY OF Federal Way**  
Centered on Opportunity  
33325 8TH AVE S FEDERAL WAY, WA 98003  
PHONE: (253) 835-2700  
WWW.CITYOFFEDERALWAY.COM

**811**  
Know what's below.  
Call before you dig.

DRAFTED:	PFH
DESIGNED:	FT
REVIEWED:	KS
APPROVED:	SH

**KENT TROY SMITH**  
STATE OF WASHINGTON  
REGISTERED PROFESSIONAL ENGINEER  
11/14/2019

DRAWING VERSION / REVISION LOG		
NO.	DATE	REVISION

**2019 STORM PIPE REPAIR PHASE 2**  
**SITE PLAN FOR PIPES #13170 & #13172 (SCHEDULE C)**

CITY PROJECT #:	34288
SHT.	07
OF	07