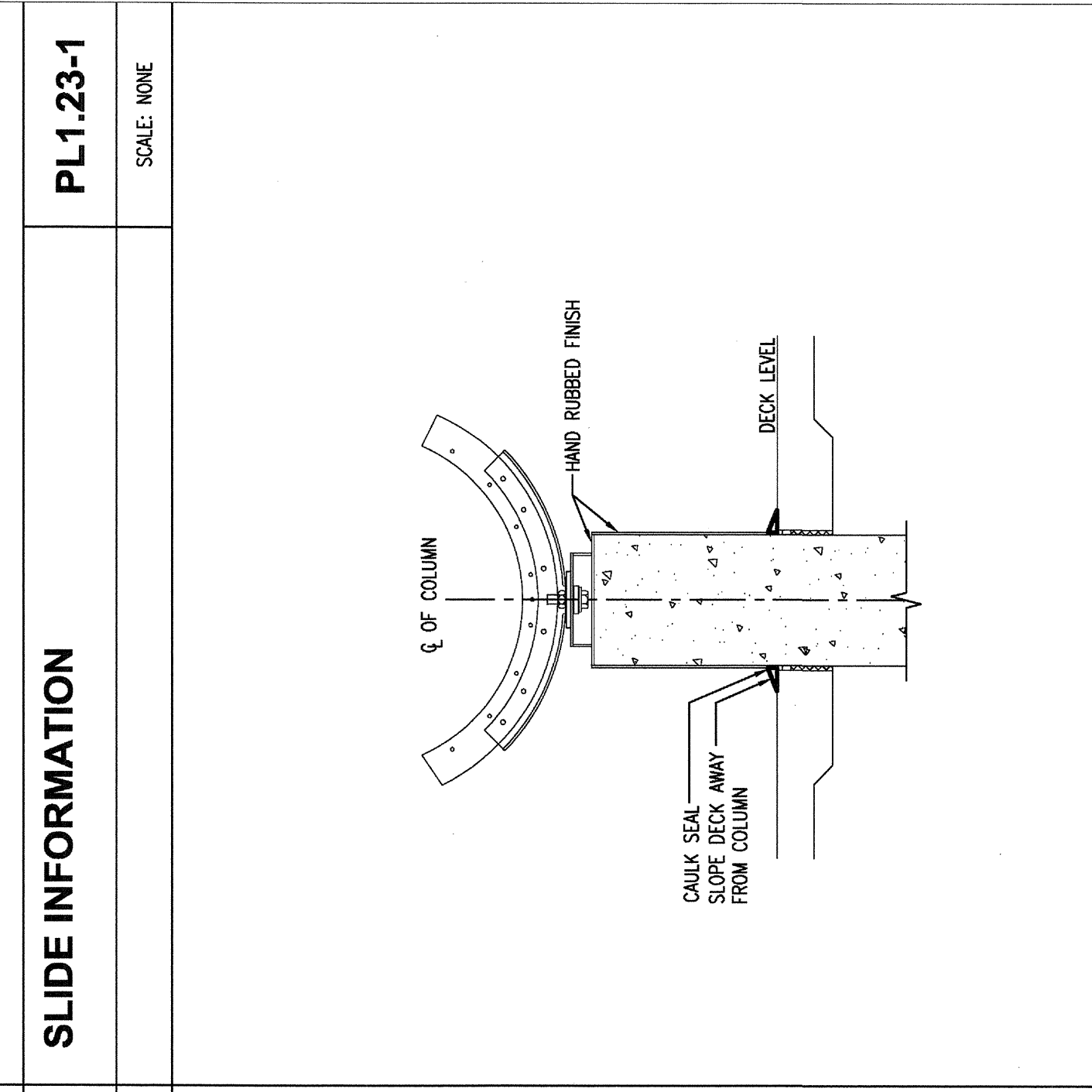


**SLIDE INFORMATION:**  
 SLIDE TYPE: SSBY  
 SLIDE LENGTH: 119 FT  
 SLIDE HEIGHT: 17 FT  
 SLIDE COLOR: 760

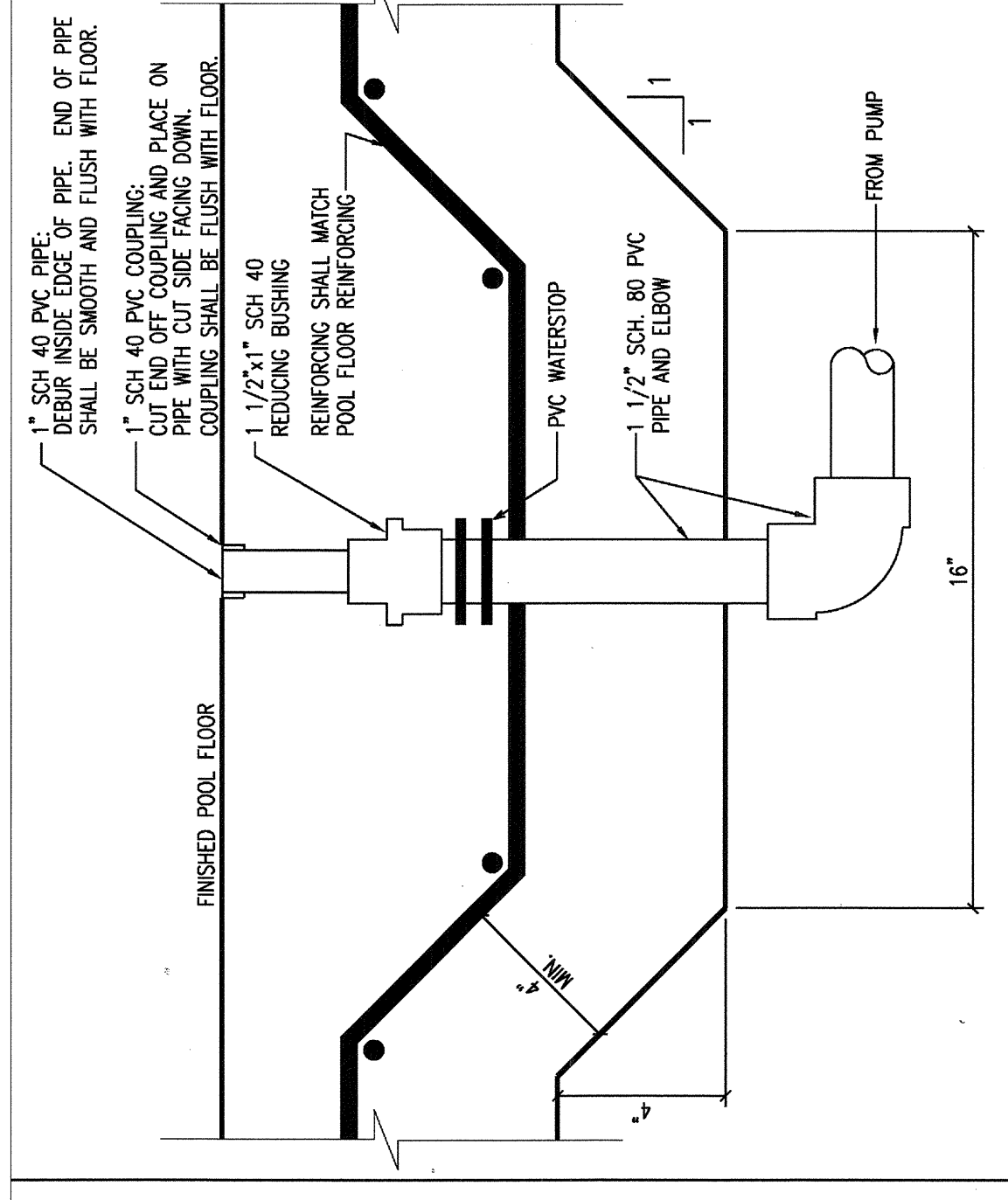
**TOWER INFORMATION:**  
 TOWER HEIGHT: 17 FT  
 TOWER MATERIAL: CLP CONCRETE

**RAILING INFORMATION:**  
 RAILING TYPE: FIBERGLASS BAL AND HAND RAIL PROVIDE 3'-0" CLEAR WIDTH OF STAIRS

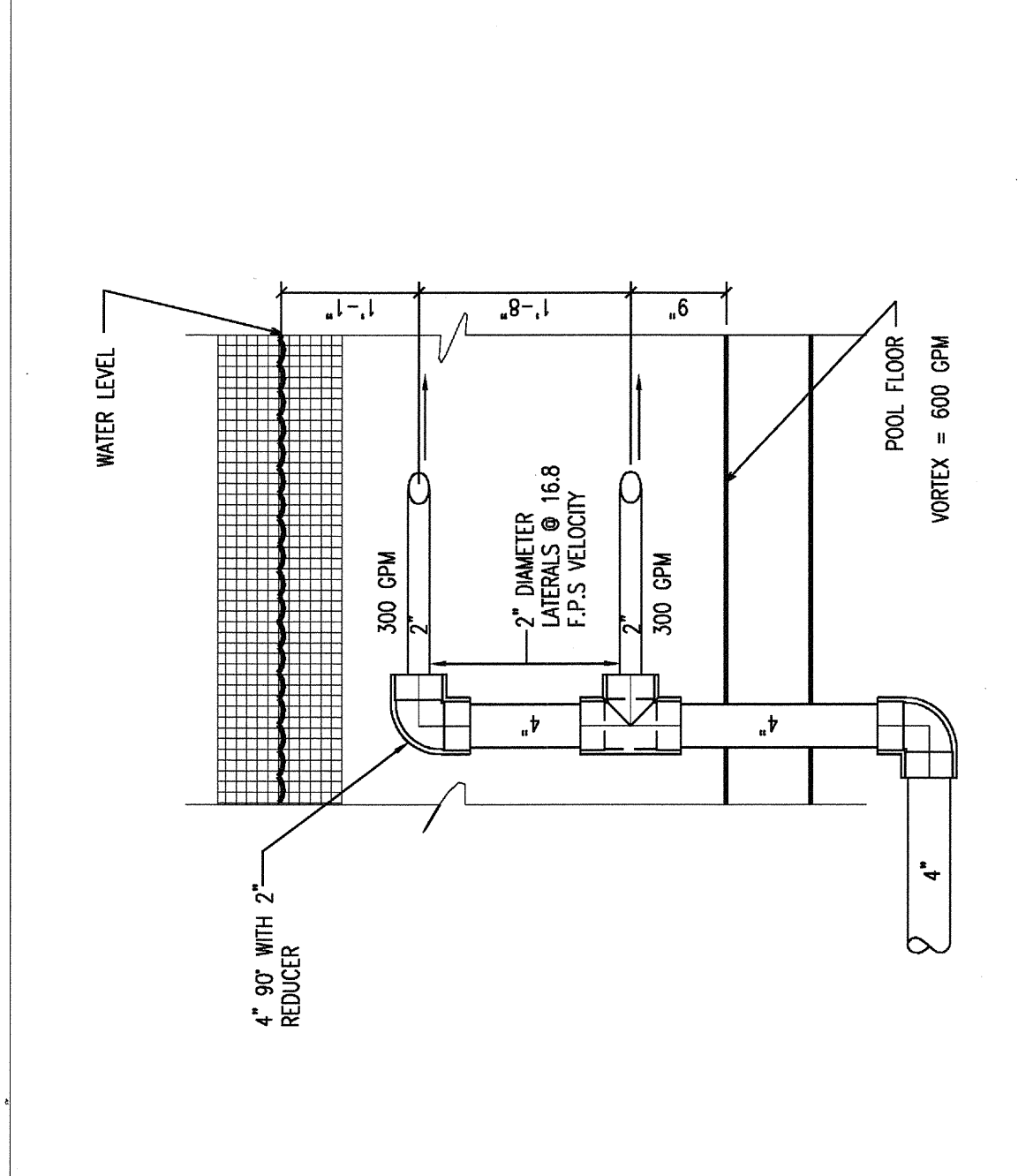
**NOTES:**  
 -INCLUDE A LOCKING GATE AT ENTRY TO STAIR TOWER  
 -INSTALL A LOCKING GATE AT ENTRY TO STAIR TOWER  
 -INSTALL A LOCKING GATE AT ENTRY TO STAIR TOWER  
 -INSTALL A LOCKING GATE AT ENTRY TO STAIR TOWER  
 -INSTALL A LOCKING GATE AT ENTRY TO STAIR TOWER



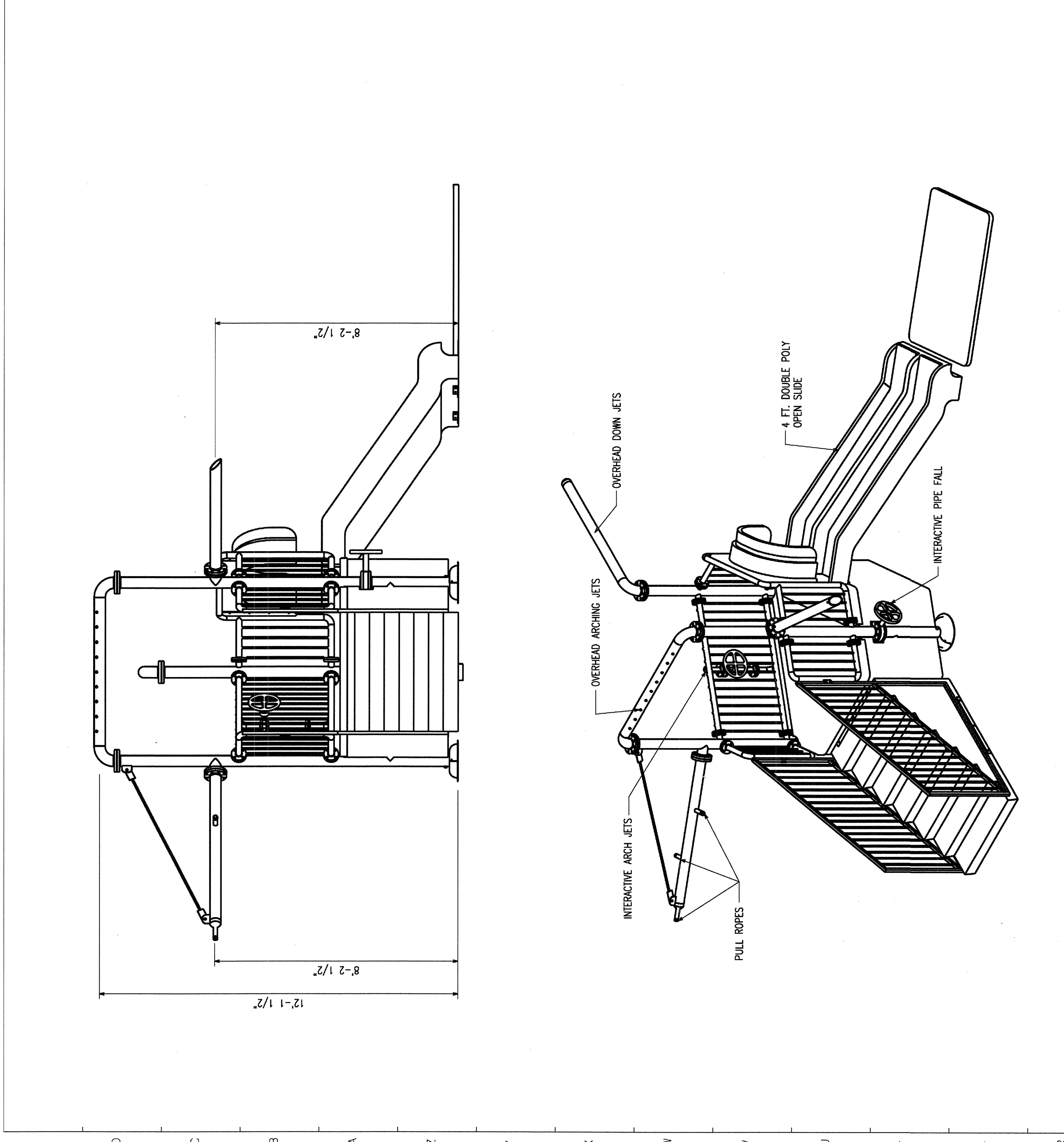
**PL1.23-1**  
 SCALE: NONE



**PL1.23-5**  
 SCALE: NONE



**PL1.23-8**  
 SCALE: NONE



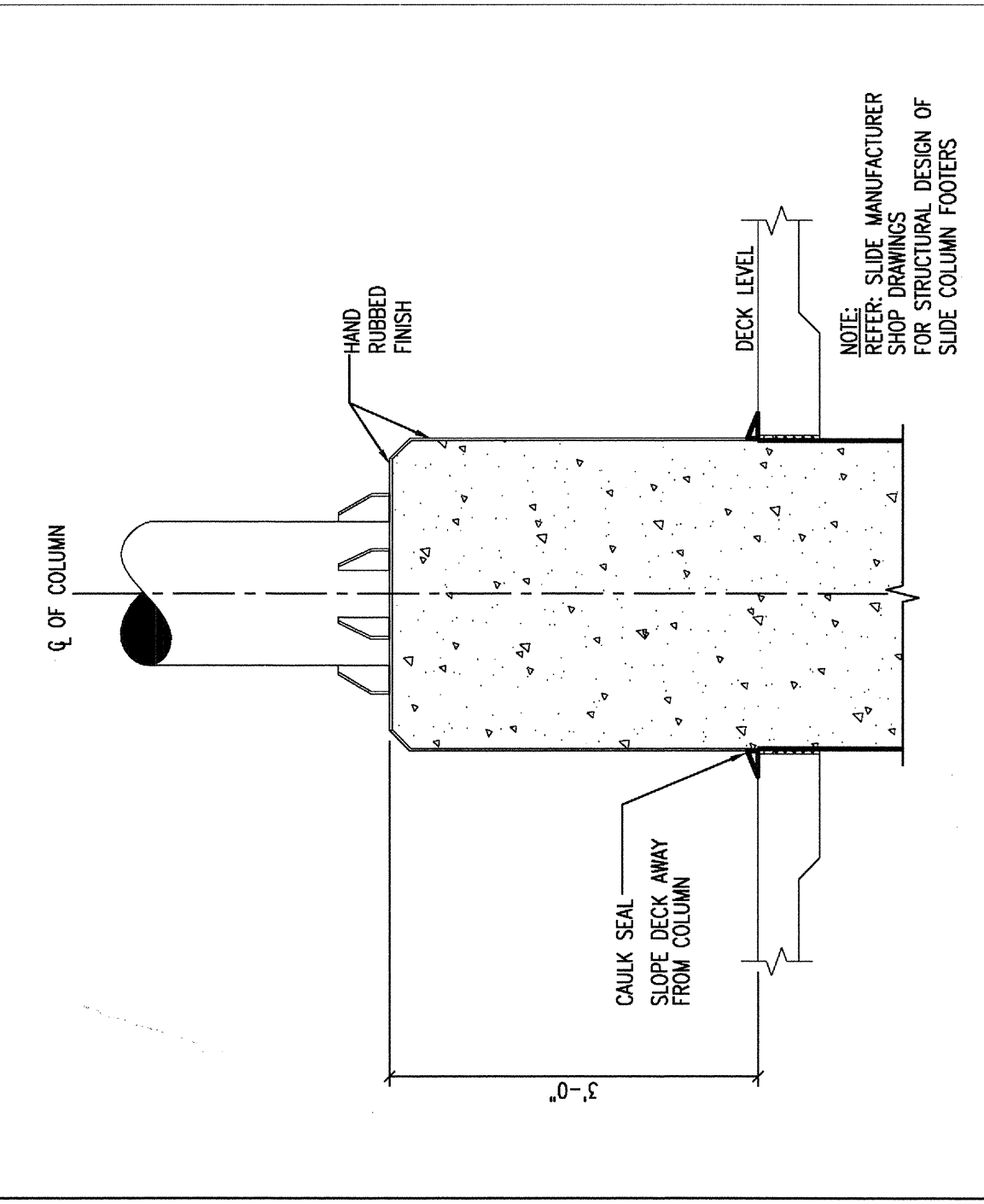
**AP50 WATER STRUCTURE**

**PL1.23-2**  
 SCALE: NONE

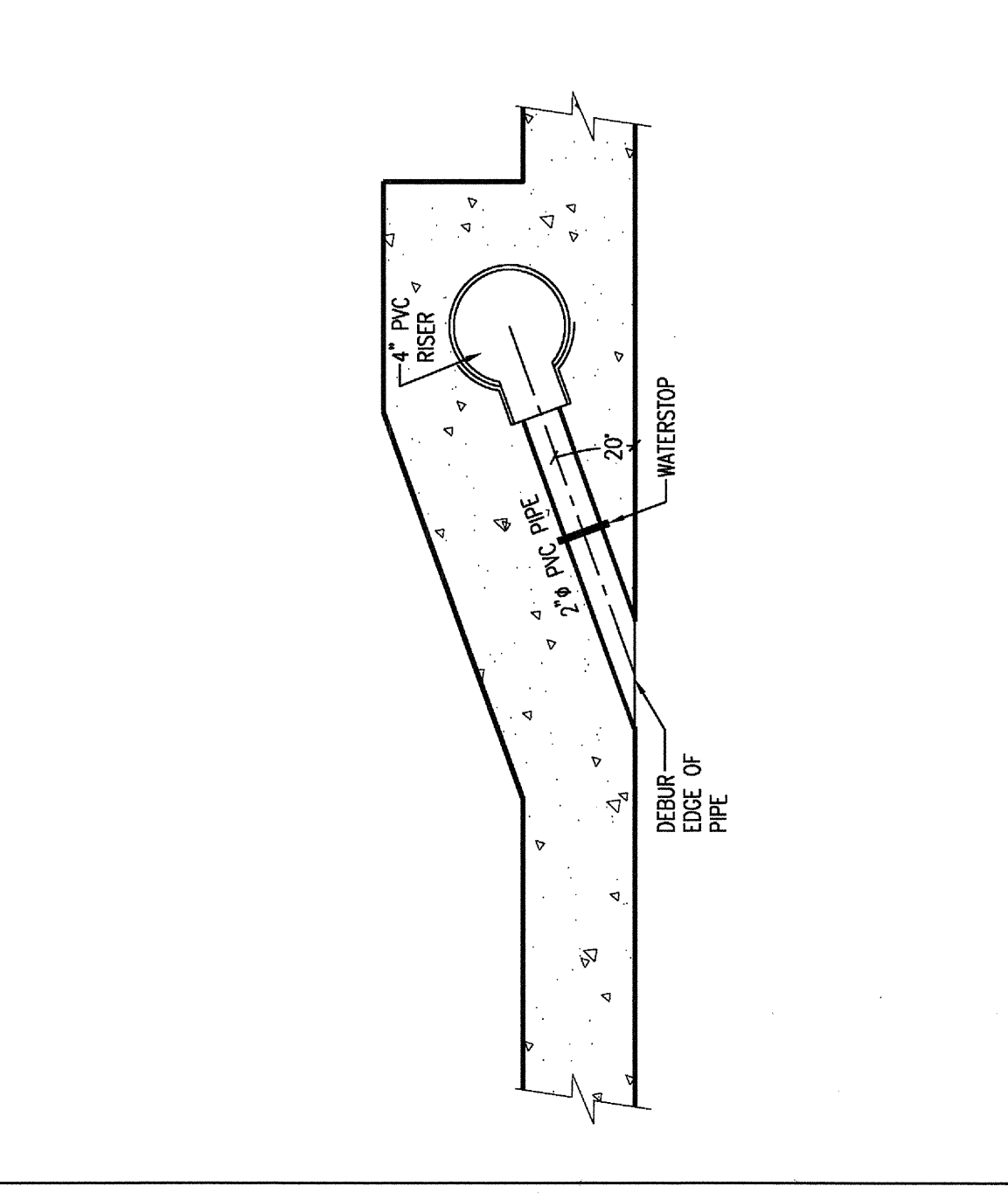
**PL1.23-6**  
 SCALE: NONE

**PL1.23-9**  
 SCALE: NONE

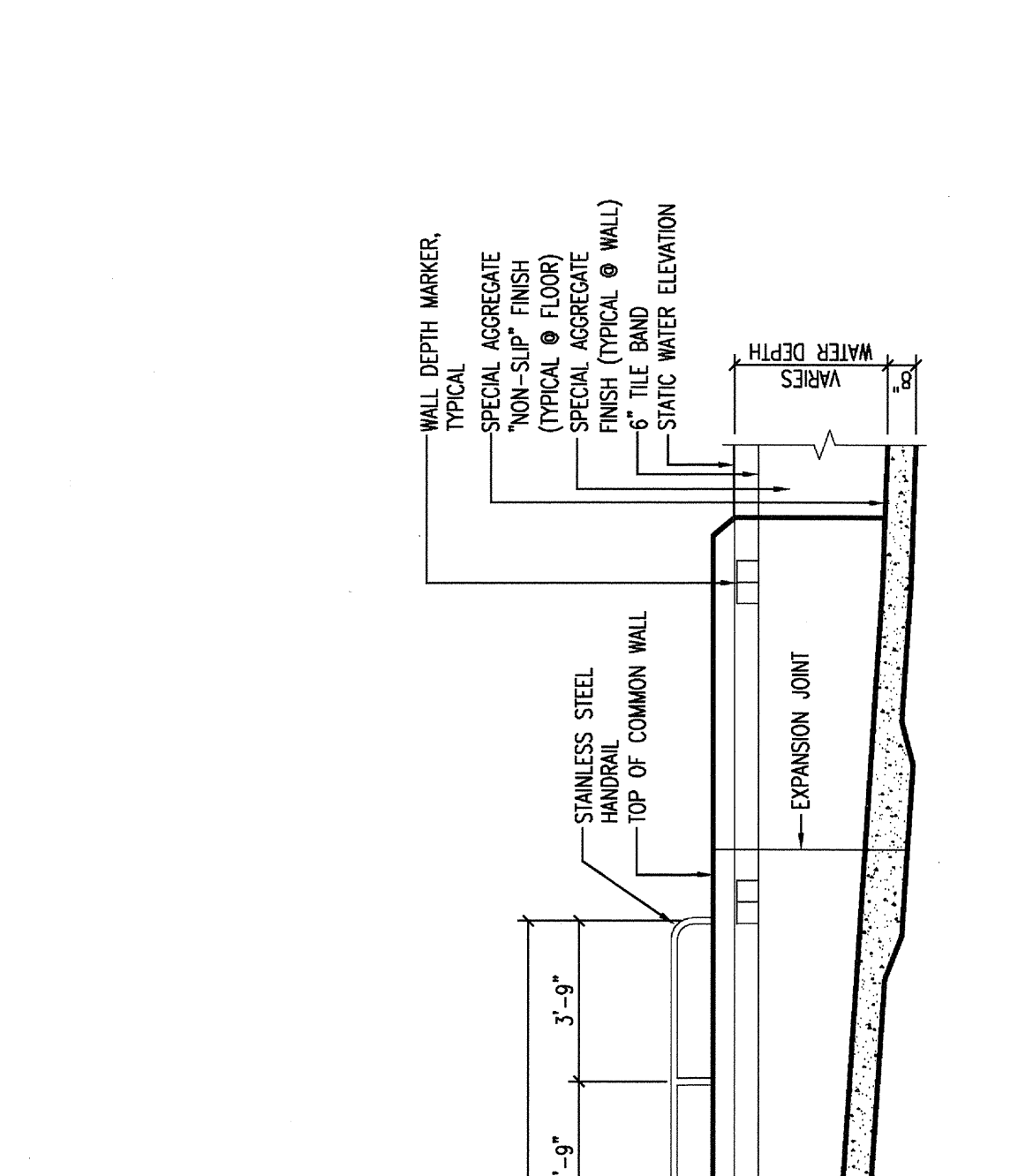
**PL1.23-12**  
 SCALE: NONE



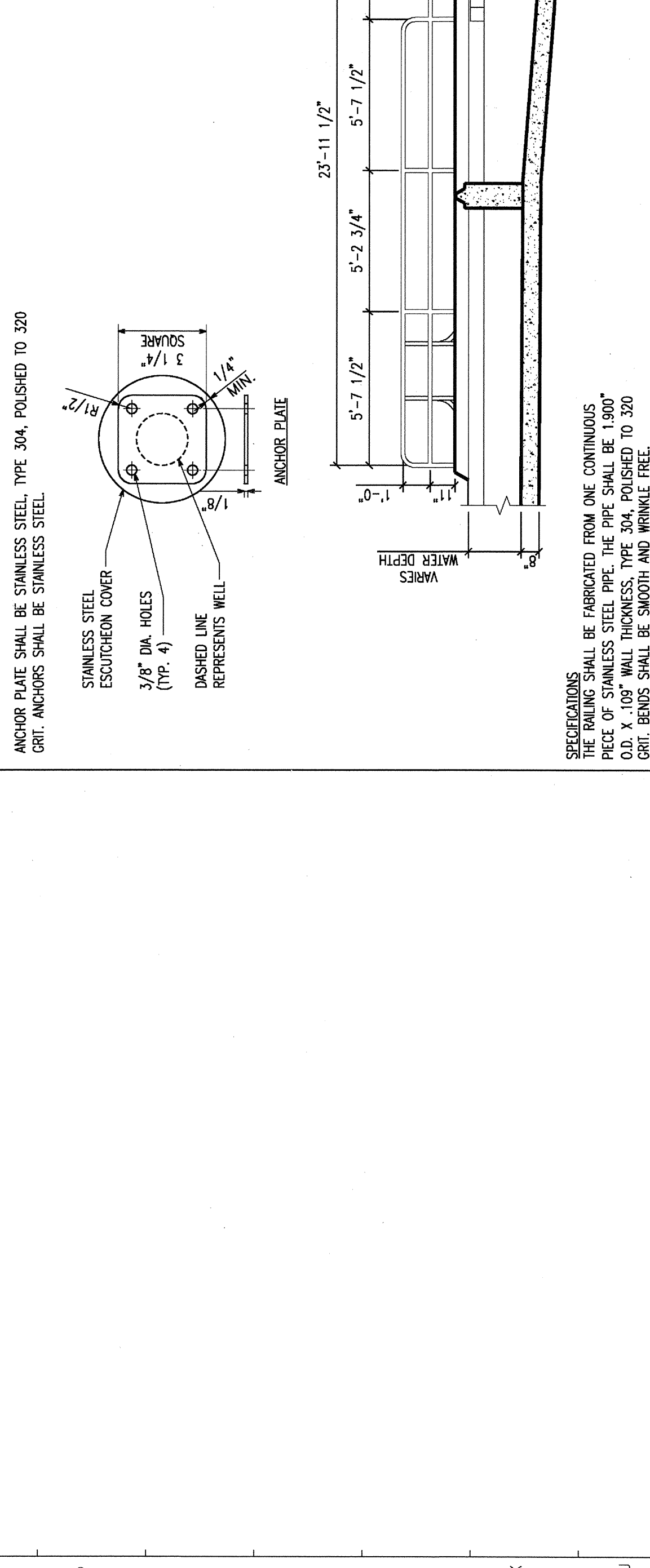
**PL1.23-3**  
 SCALE: NONE



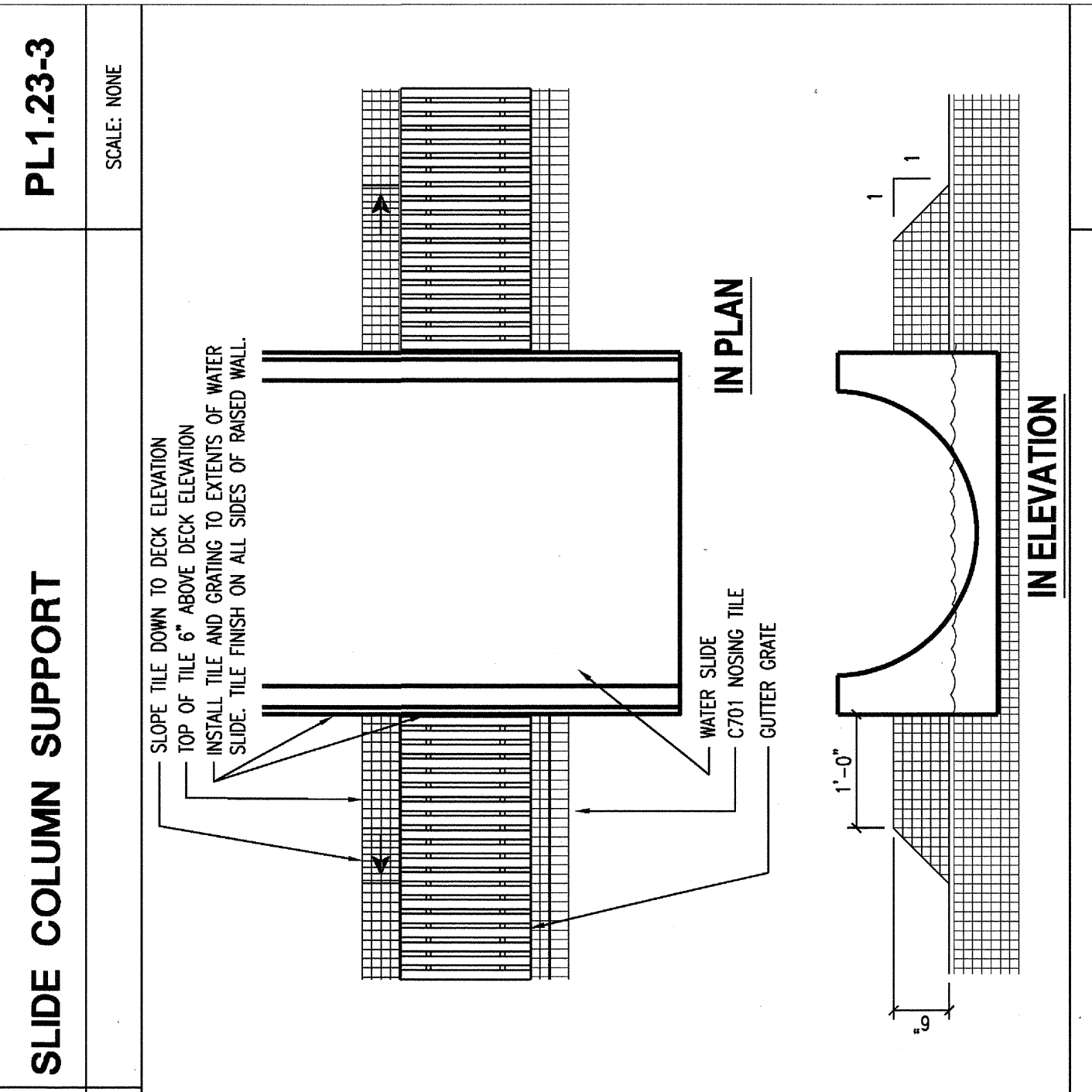
**PL1.23-7**  
 SCALE: NONE



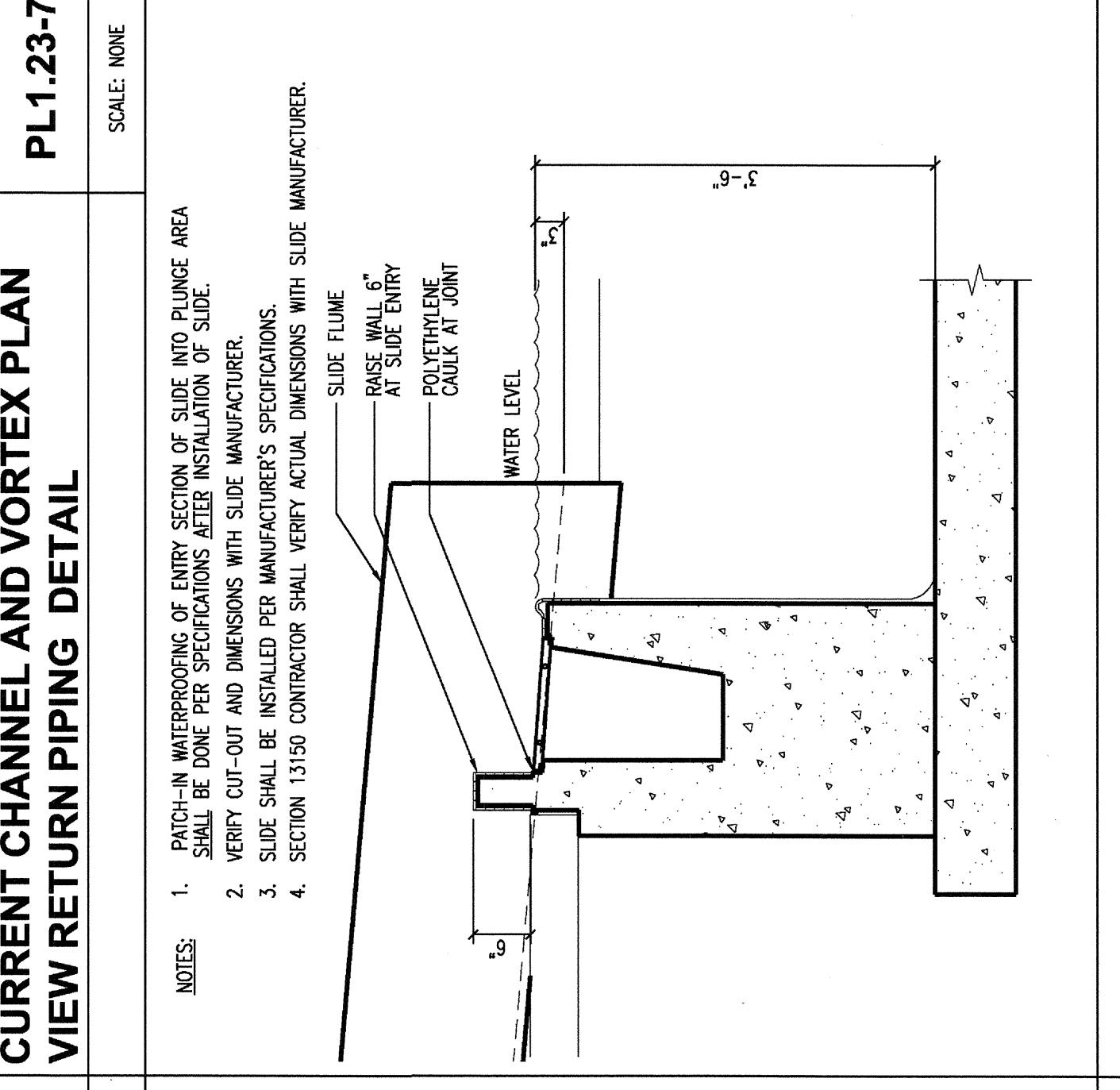
**PL1.23-10**  
 SCALE: NONE



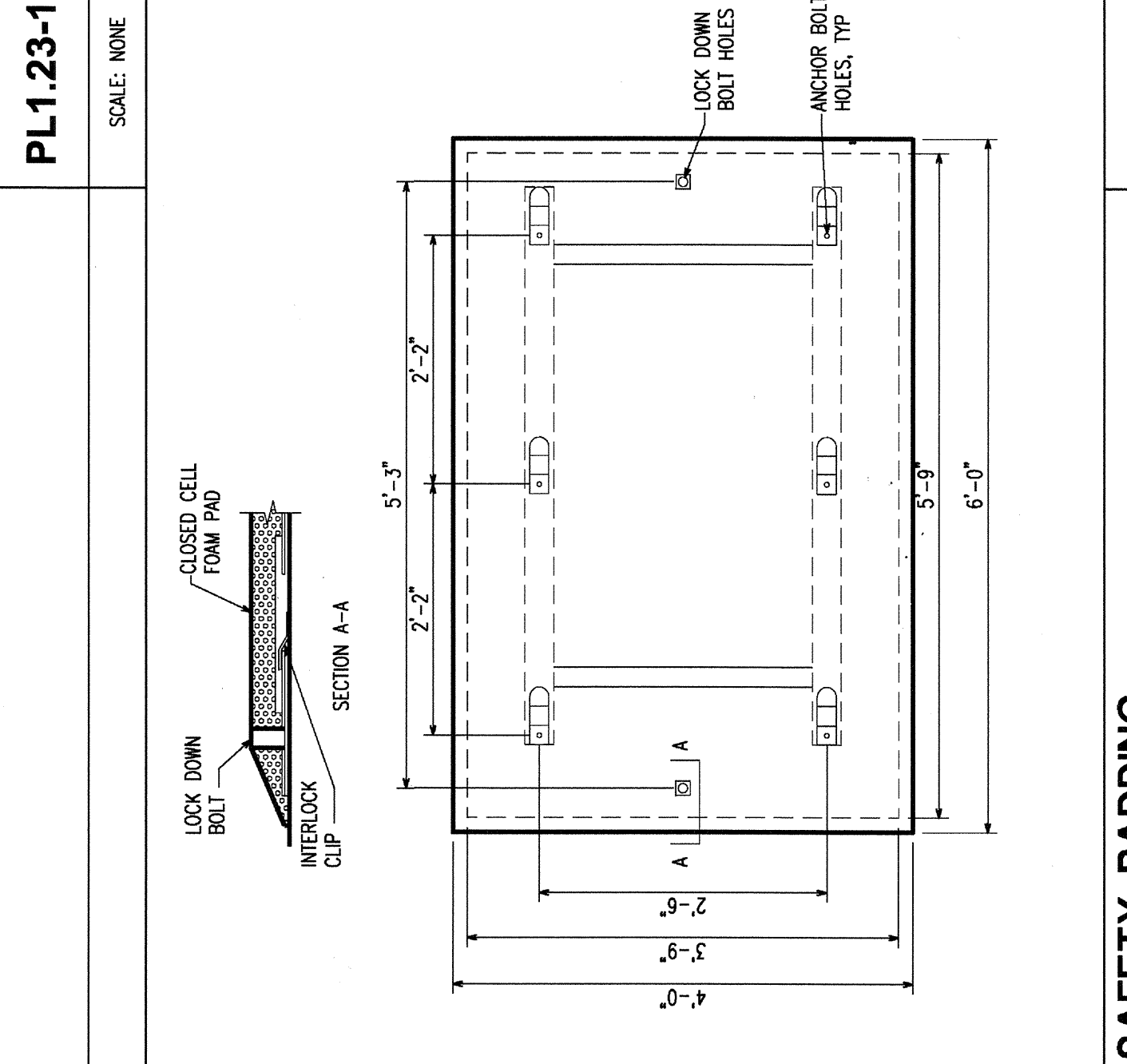
**PL1.23-14**  
 SCALE: NONE



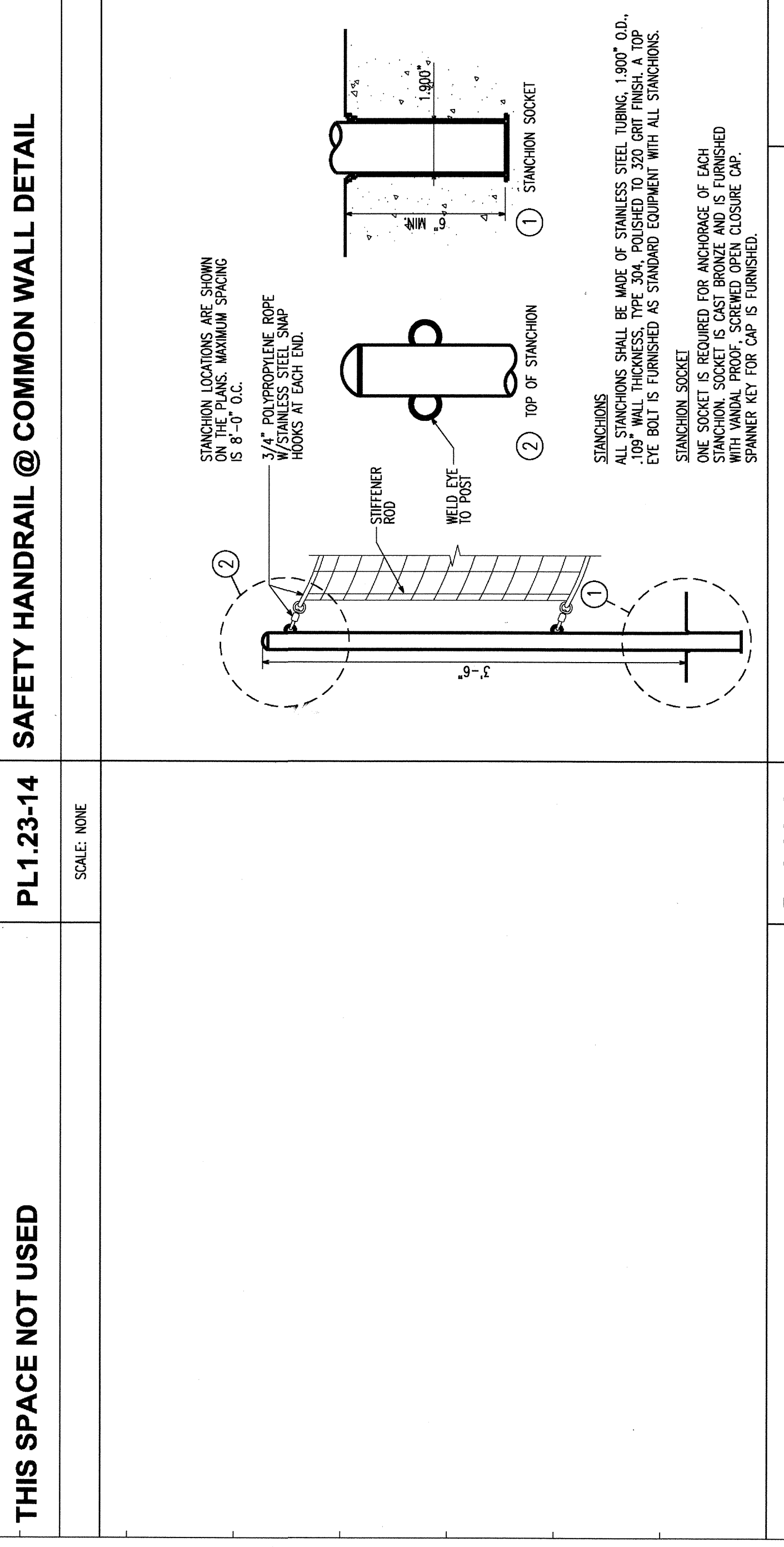
**PL1.23-4**  
 SCALE: NONE



**PL1.23-7**  
 SCALE: NONE



**PL1.23-11**  
 SCALE: NONE



**PL1.23-13**  
 SCALE: NONE

**PL1.23-4**  
 SCALE: NONE

**PL1.23-7**  
 SCALE: NONE

**PL1.23-11**  
 SCALE: NONE

**PL1.23-13**  
 SCALE: NONE