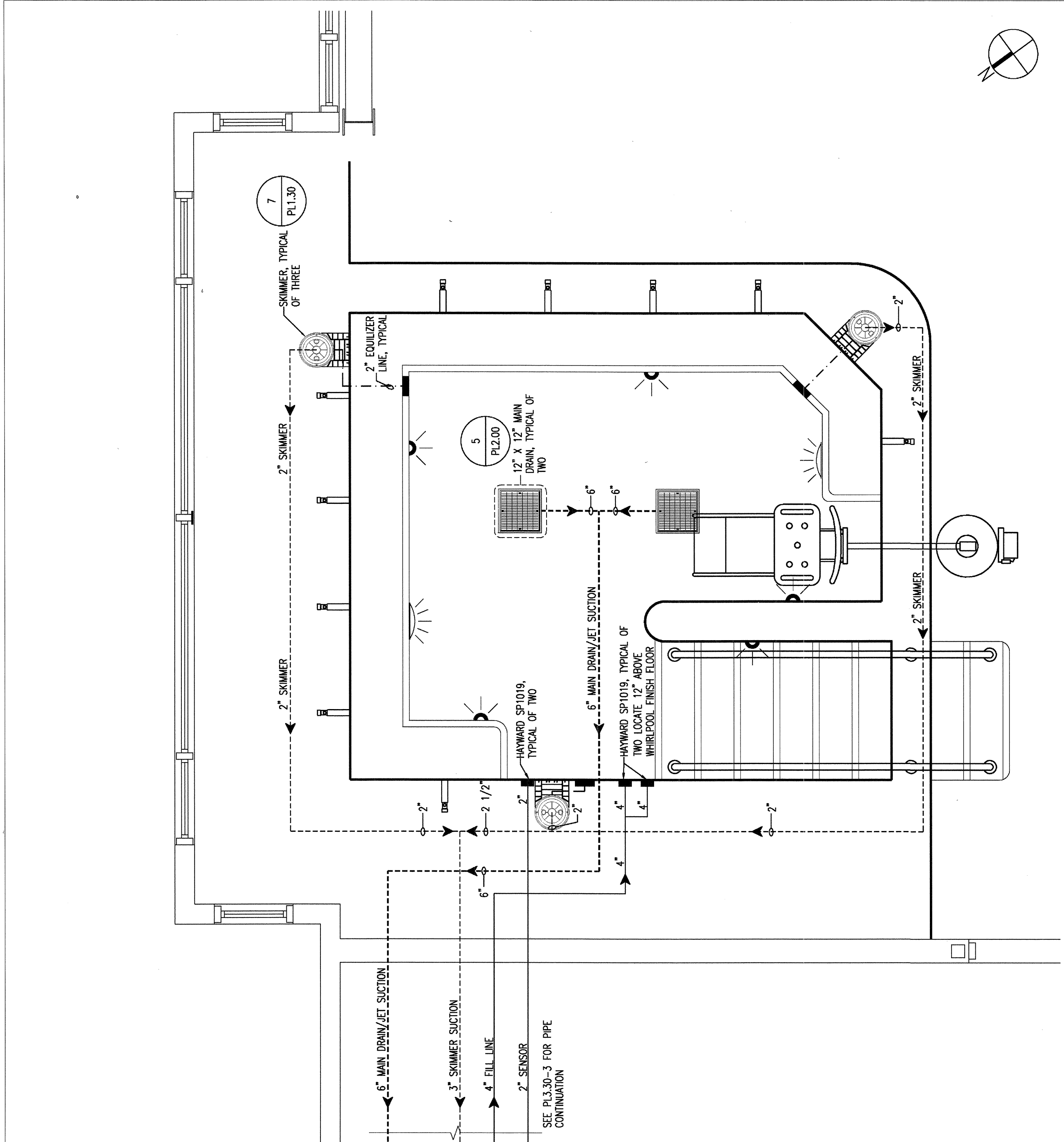
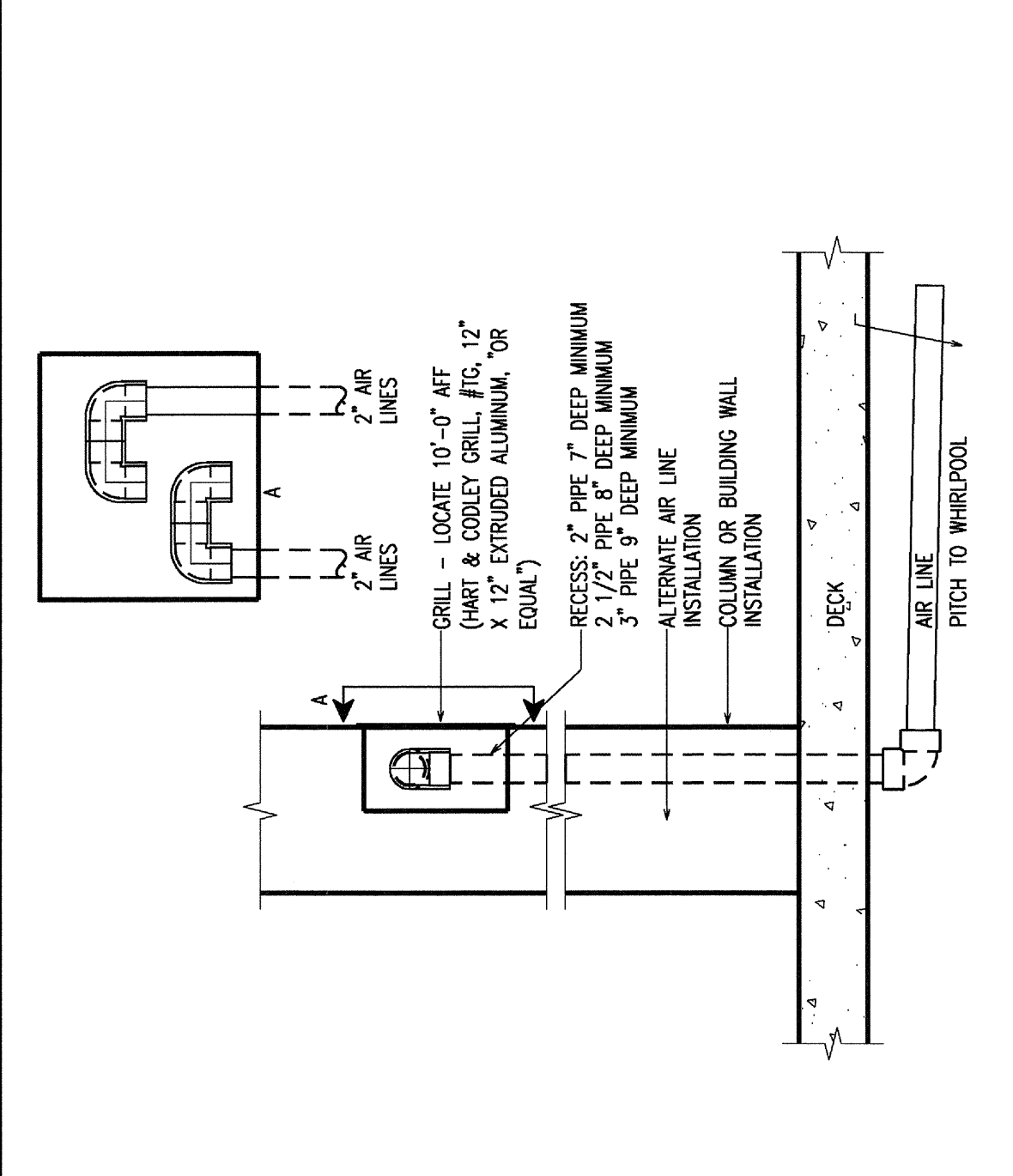


**PIPING FROM MECHANICAL ROOM TO WHIRLPOOL**  
PL3.30-3  
SCALE: 1/8" = 1'-0"



**WHIRLPOOL SKIMMER, MAIN DRAIN, FILL AND SENSOR PIPING PLAN VIEW**  
PL3.30-1  
SCALE: 1/2" = 1'-0"



**AIR LINE TERMINATION DETAIL**  
PL3.30-4  
SCALE: NONE

**THIS SPACE NOT USED**  
SCALE: NONE

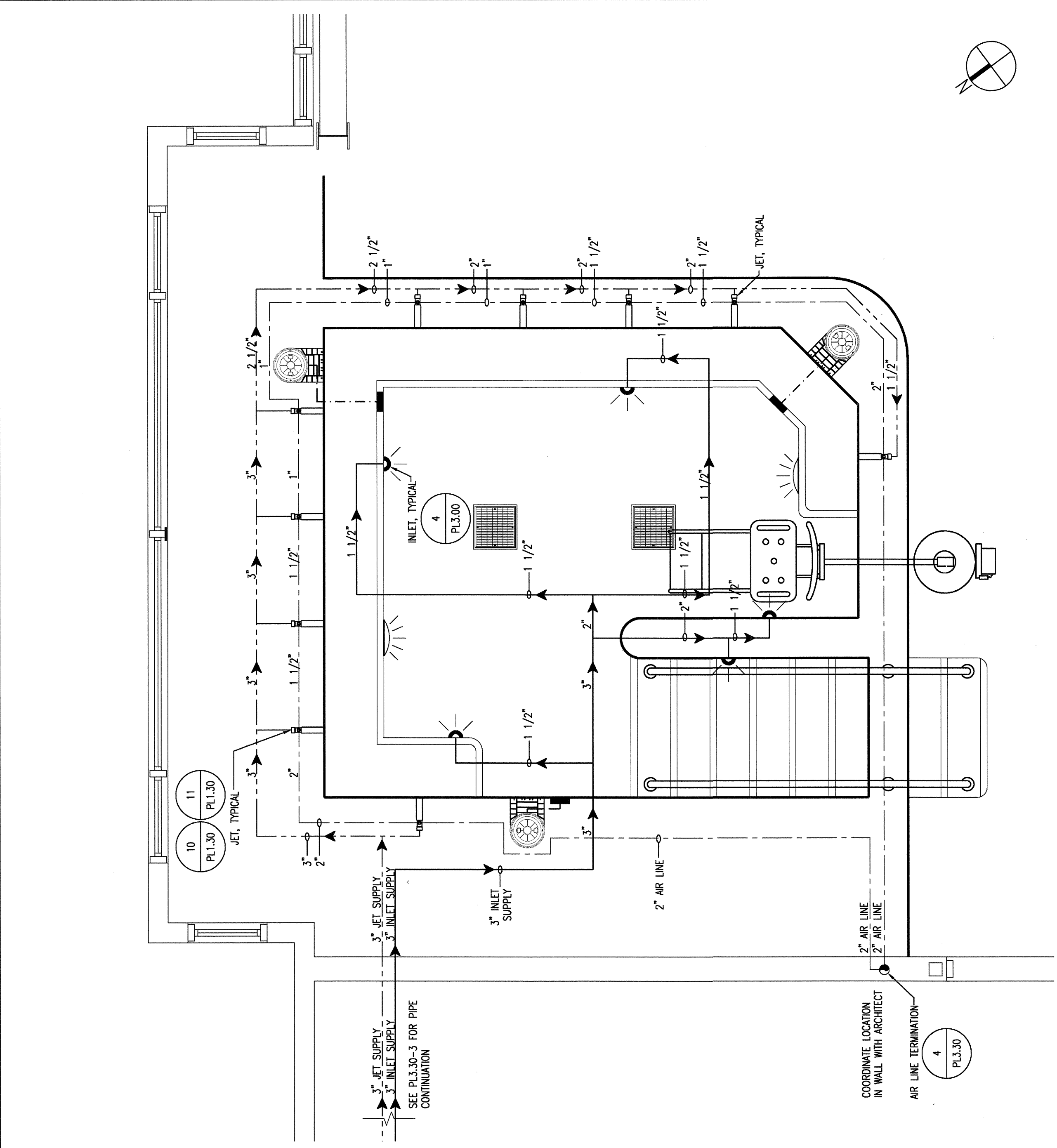
**THIS SPACE NOT USED**  
SCALE: NONE

**DRAIN GRATE DATA**

WHIRLPOOL MAIN DRAIN CALCULATION	
CALCULATION FLOW	= 163 GPM
HYDRO THERAPY FLOW	= 200 GPM
TOTAL	= 363 GPM
2 - 12" X 12" DRAIN GRATES	= 171.72 SQ. IN. OPEN AREA
363 GPM	= 2.1 GPM/SQ. IN.
171.72 SQ. IN. X .3208	= .67 FT./SEC VELOCITY THROUGH OPEN AREA

**THIS SPACE NOT USED**  
SCALE: NONE

**THIS SPACE NOT USED**  
SCALE: NONE



**WHIRLPOOL JET RETURN, AIR LINE AND INLET RETURN PIPING PLAN VIEW**  
PL3.30-2  
SCALE: 1/2" = 1'-0"

**WHIRLPOOL GRATE DRAIN DATA**  
PL3.30-5  
SCALE: NONE

**THIS SPACE NOT USED**  
SCALE: NONE

**THIS SPACE NOT USED**  
SCALE: NONE