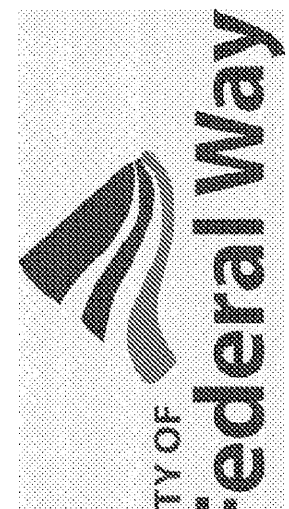


1000 West 10th Avenue, Suite 100  
 Denver, CO 80202  
 303-733-7000  
 www.watertech.com



**Federal Way Community Center**

33190 9th Avenue South

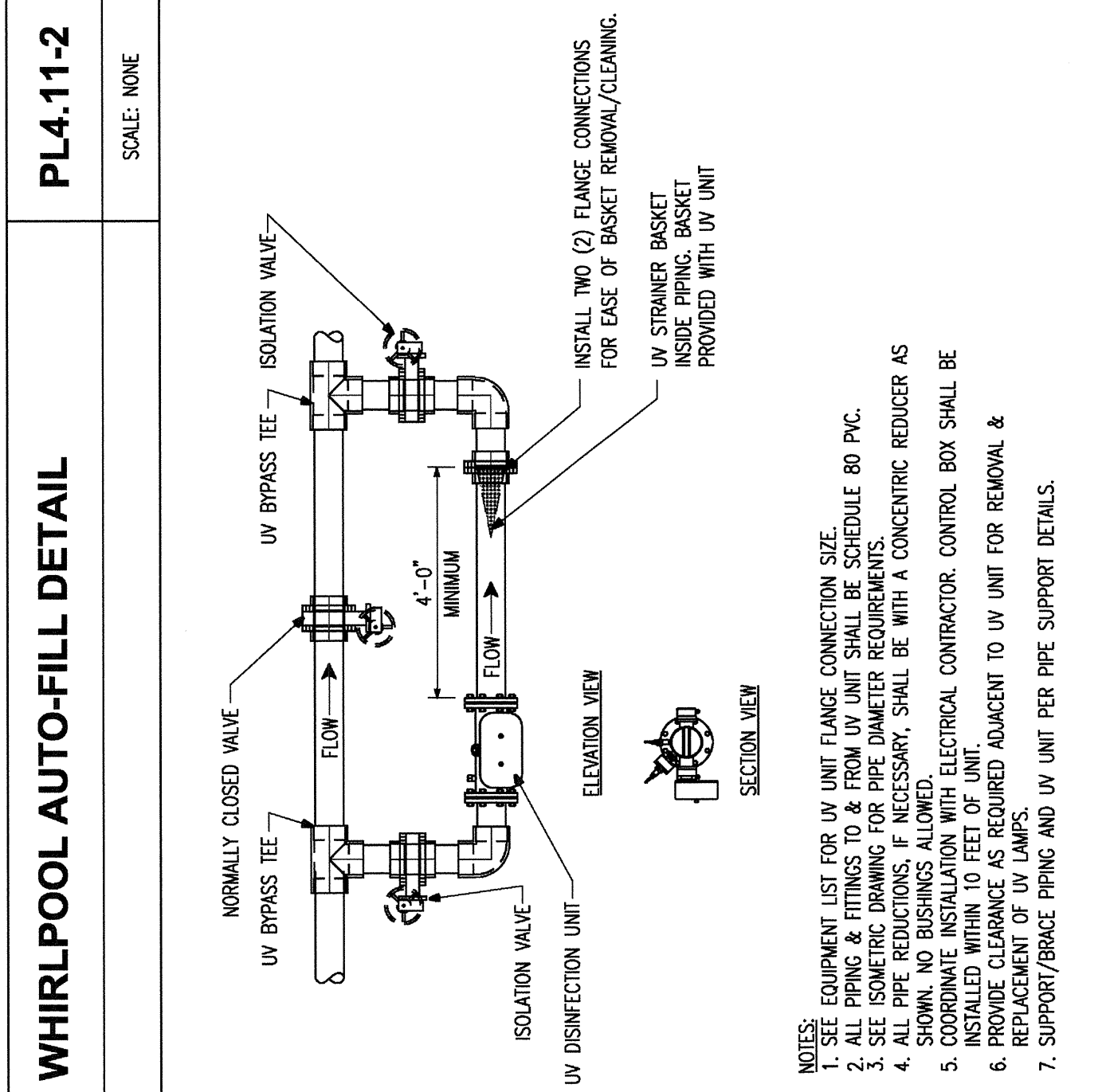
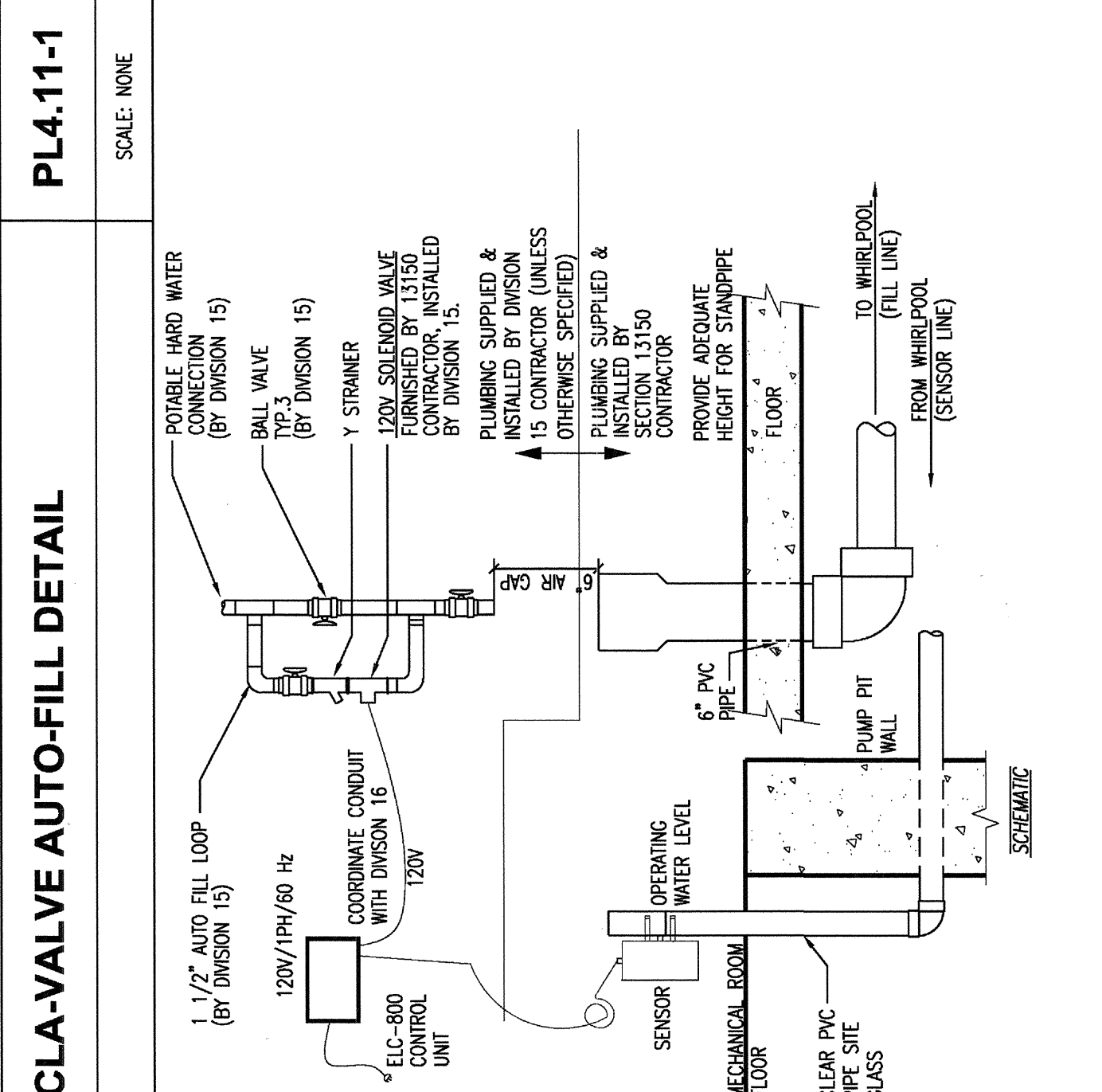
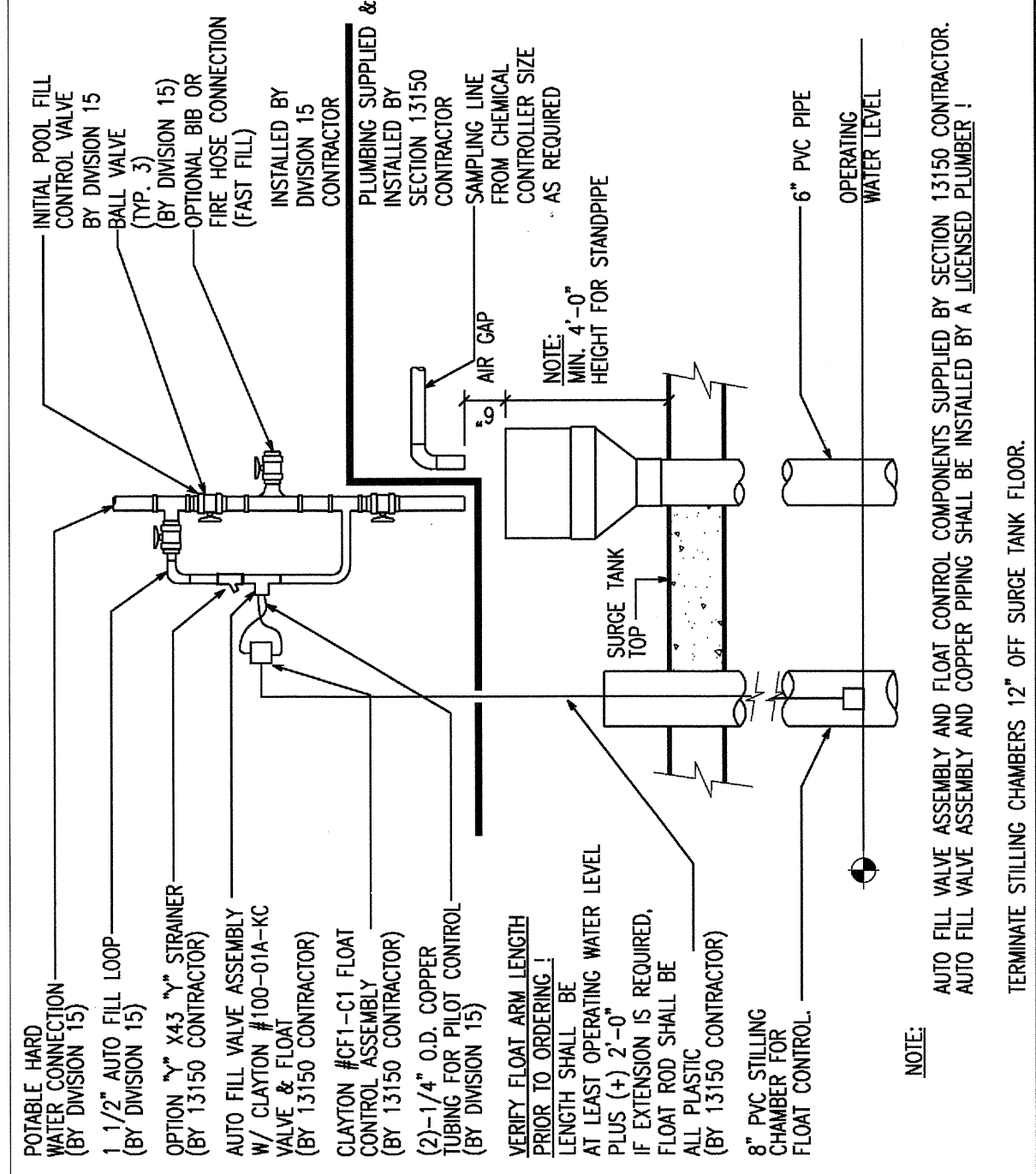
**AS-BUILTS**



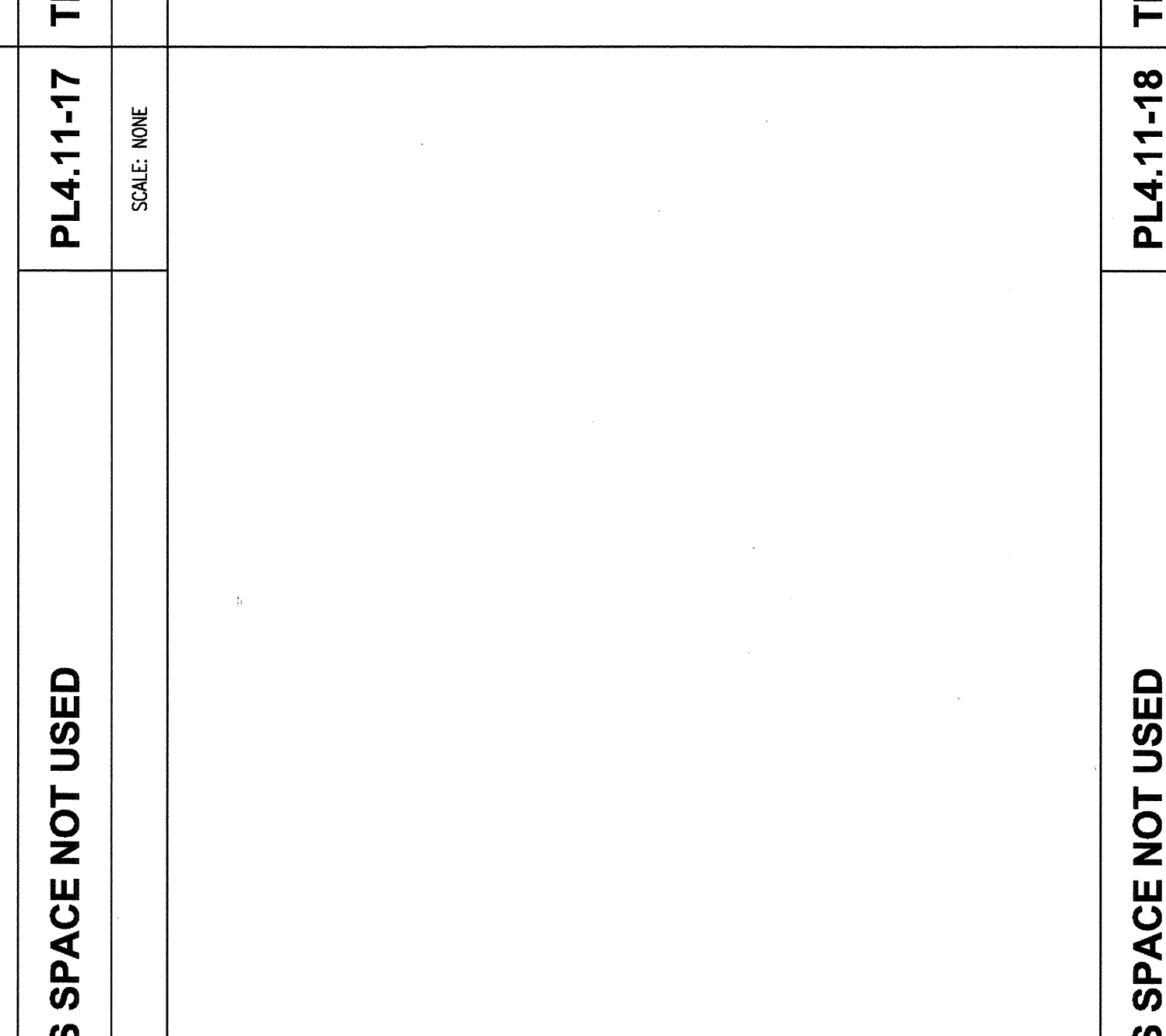
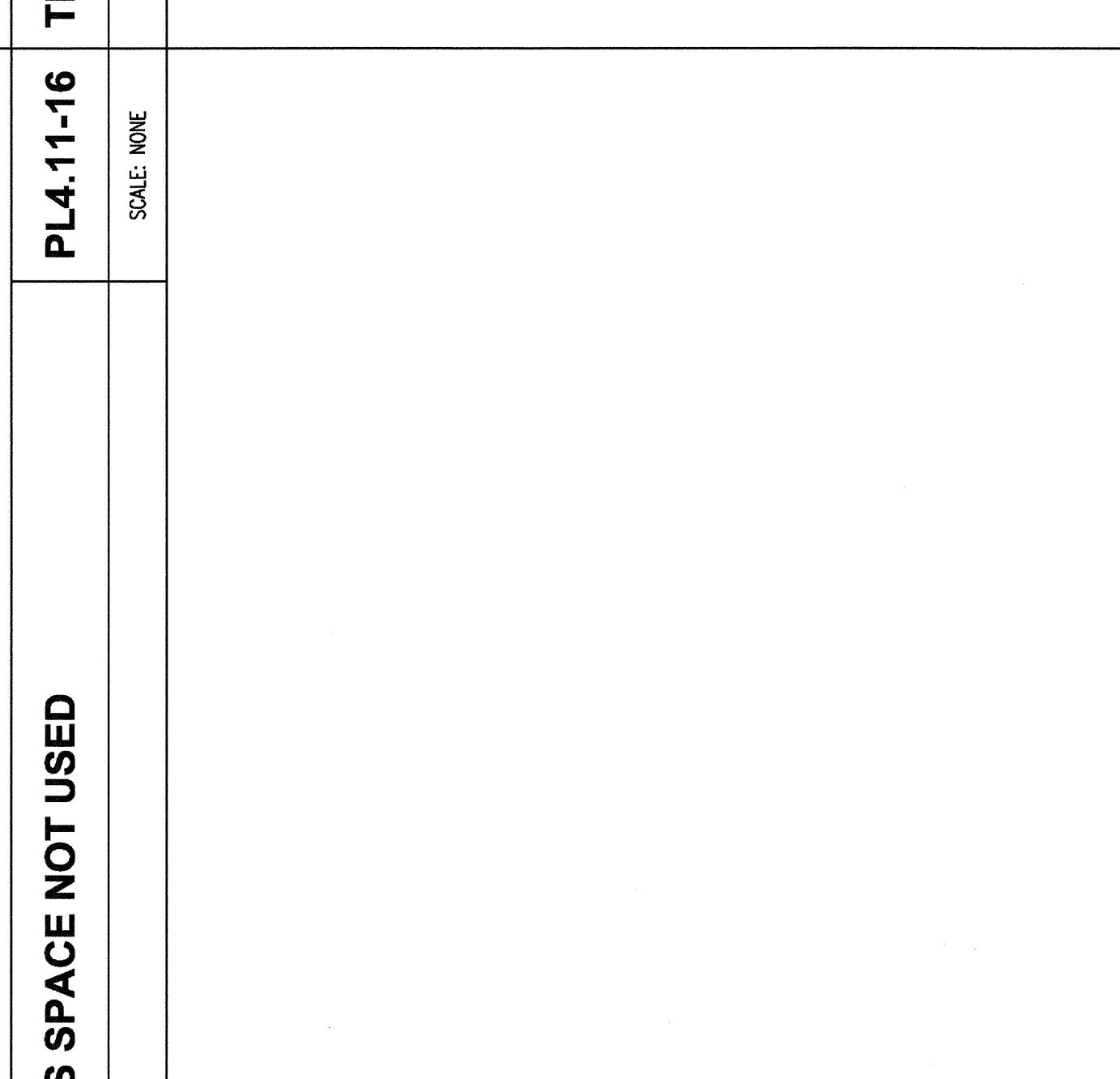
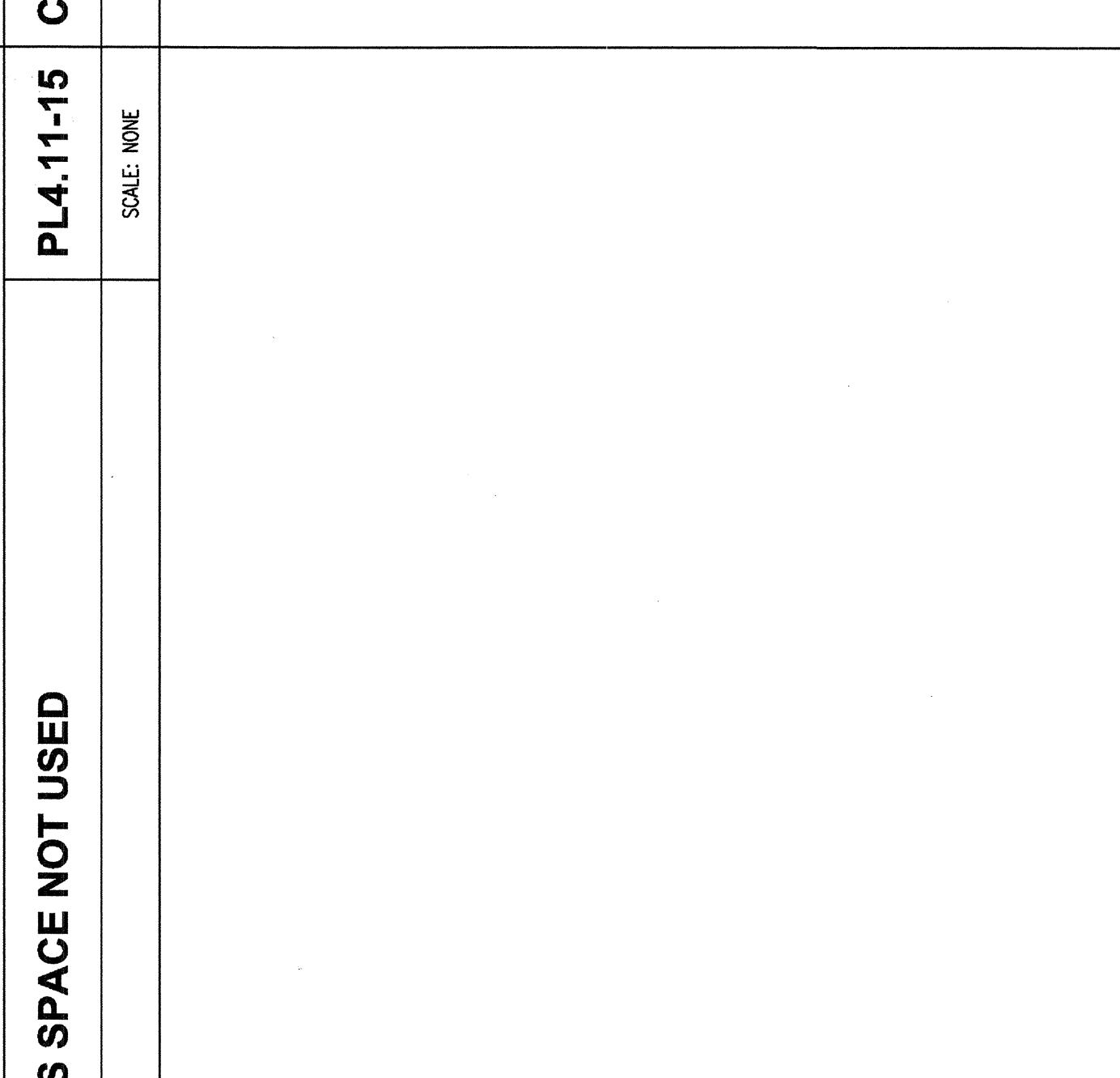
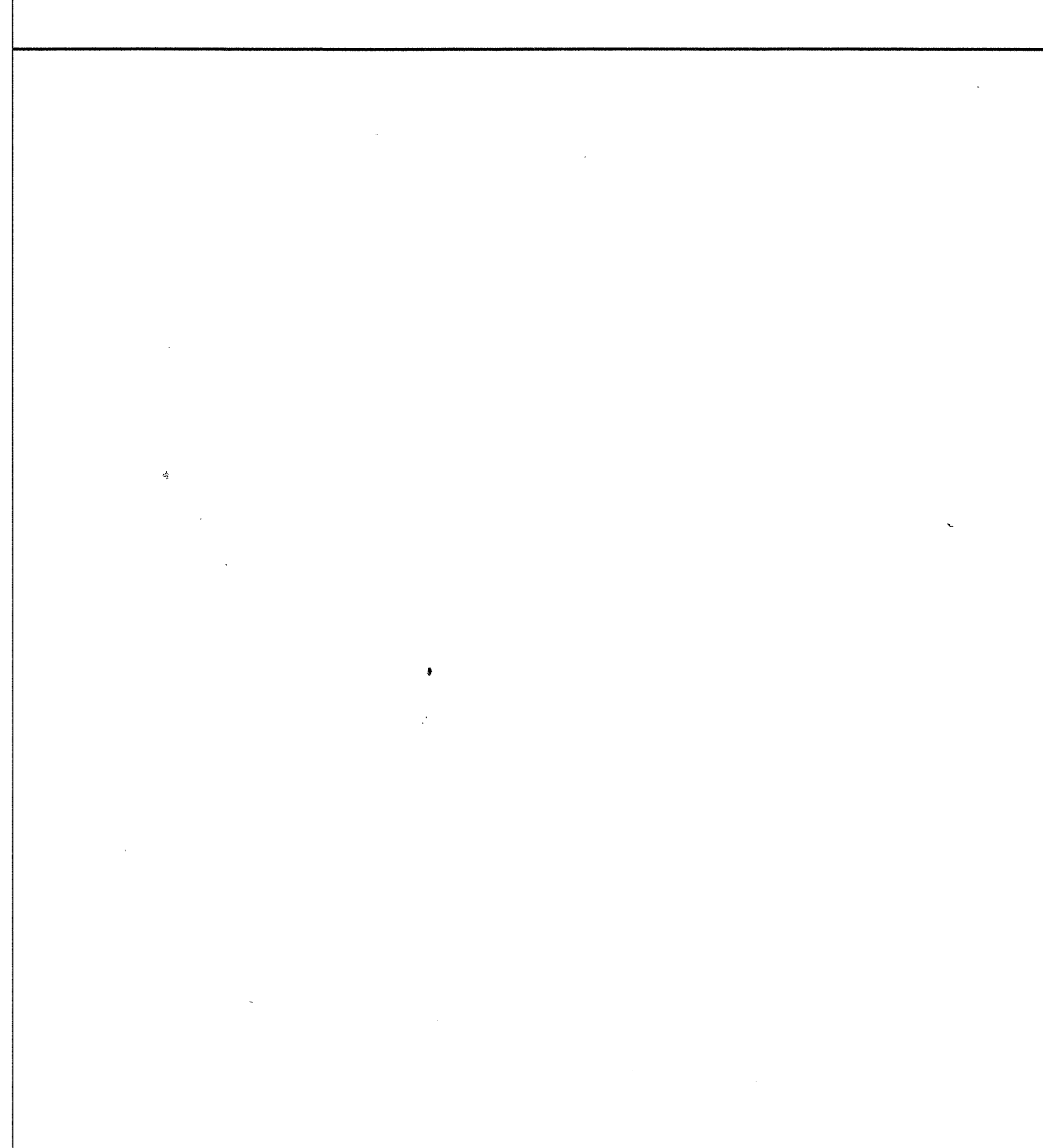
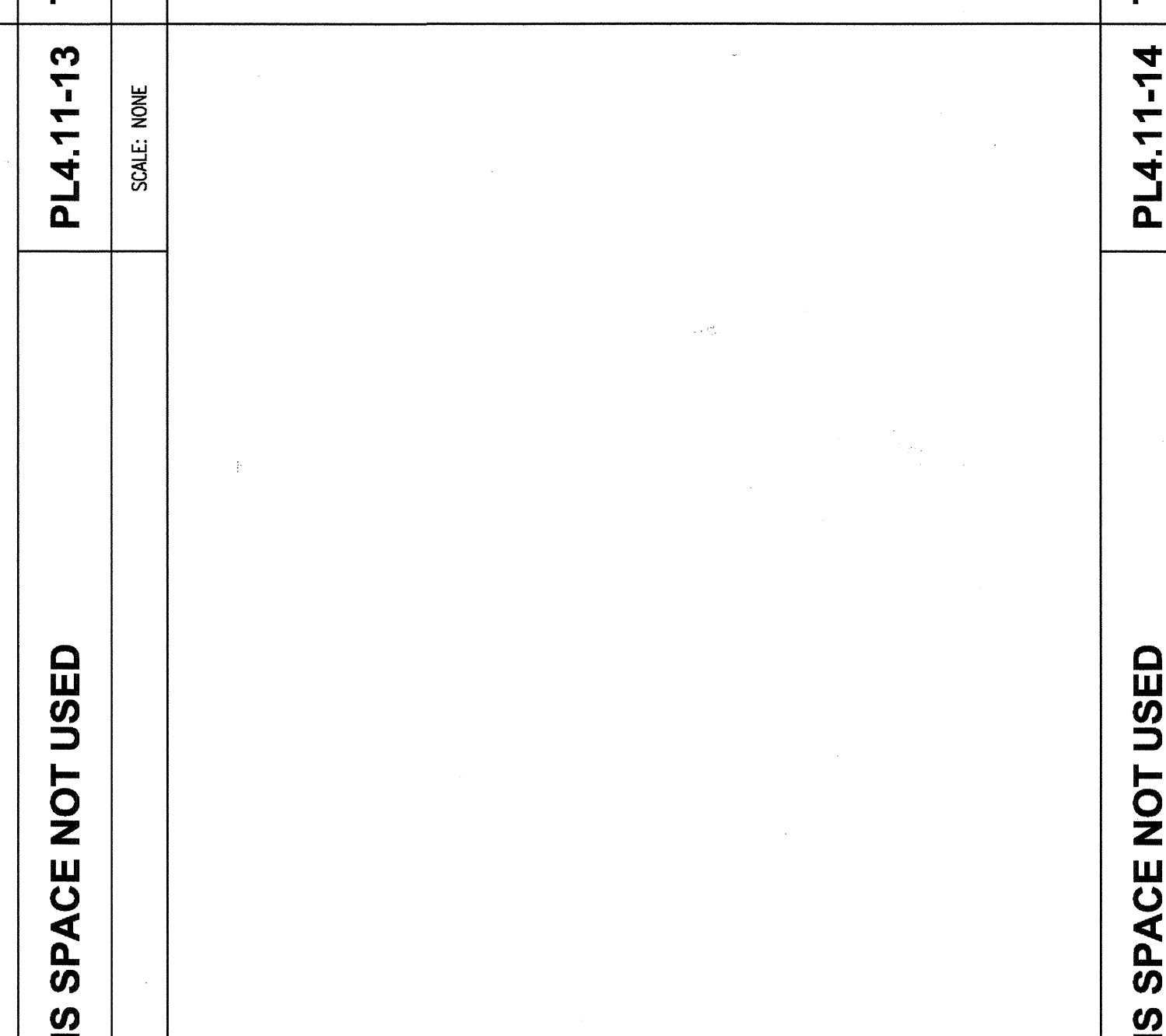
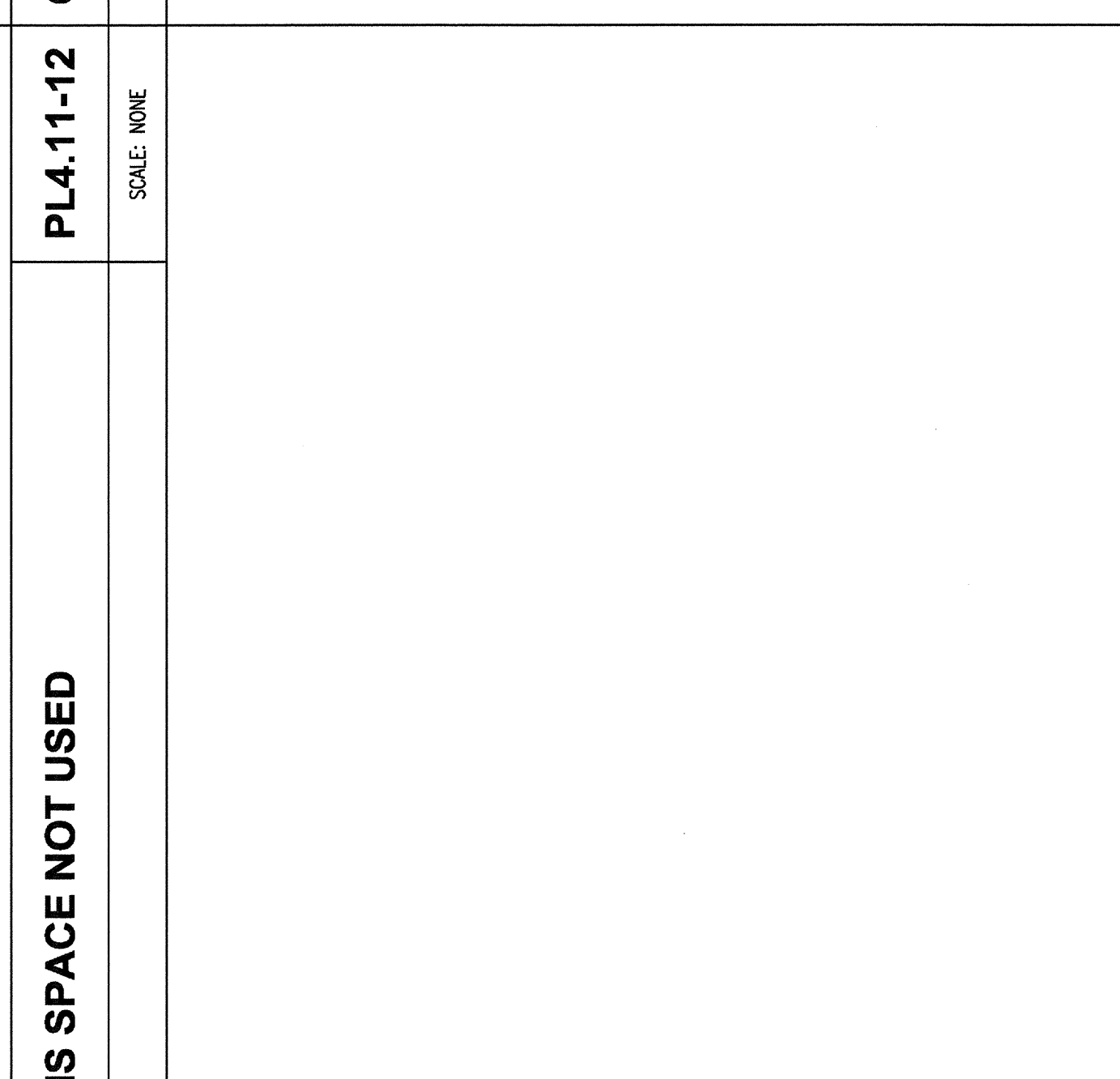
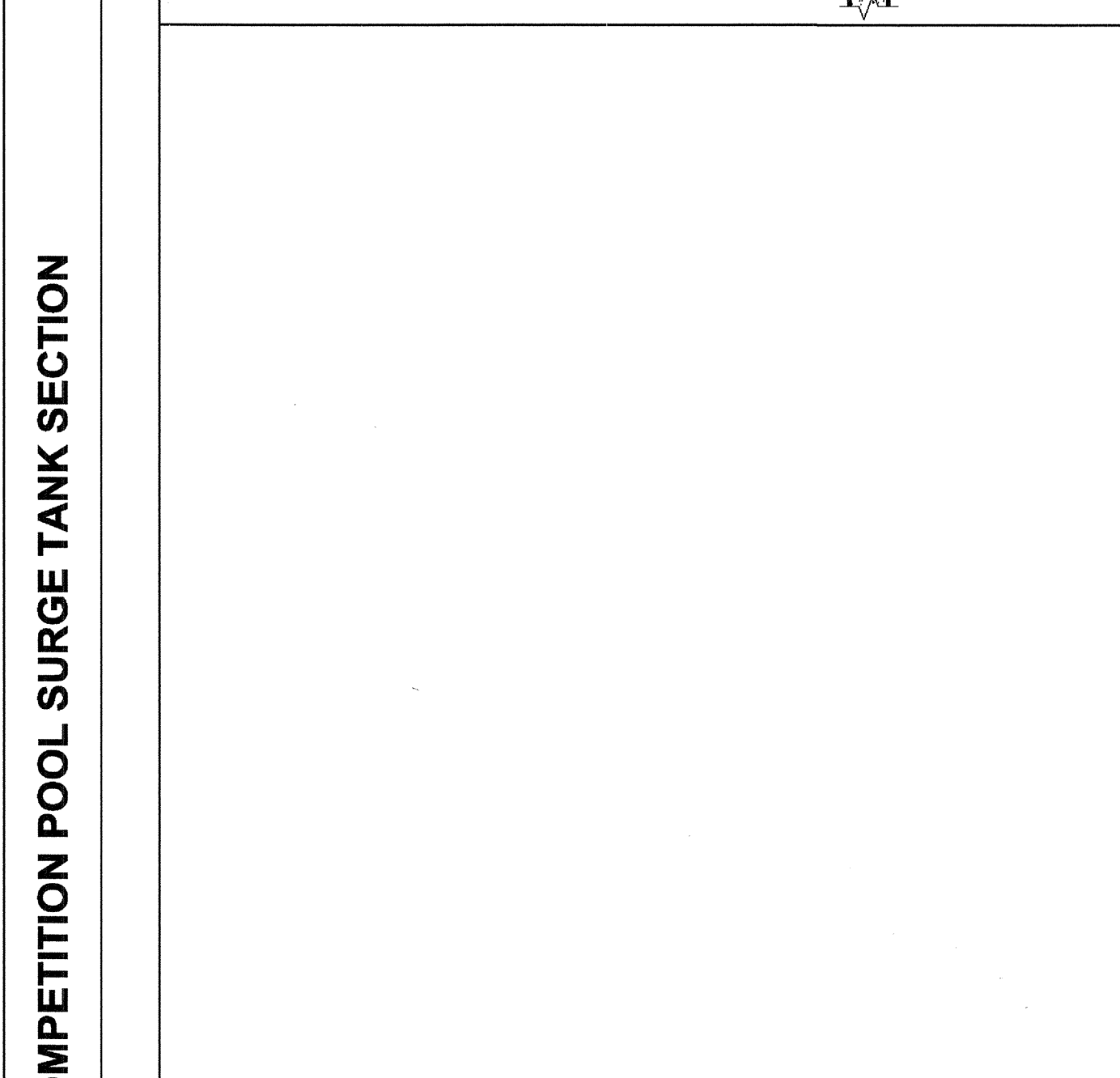
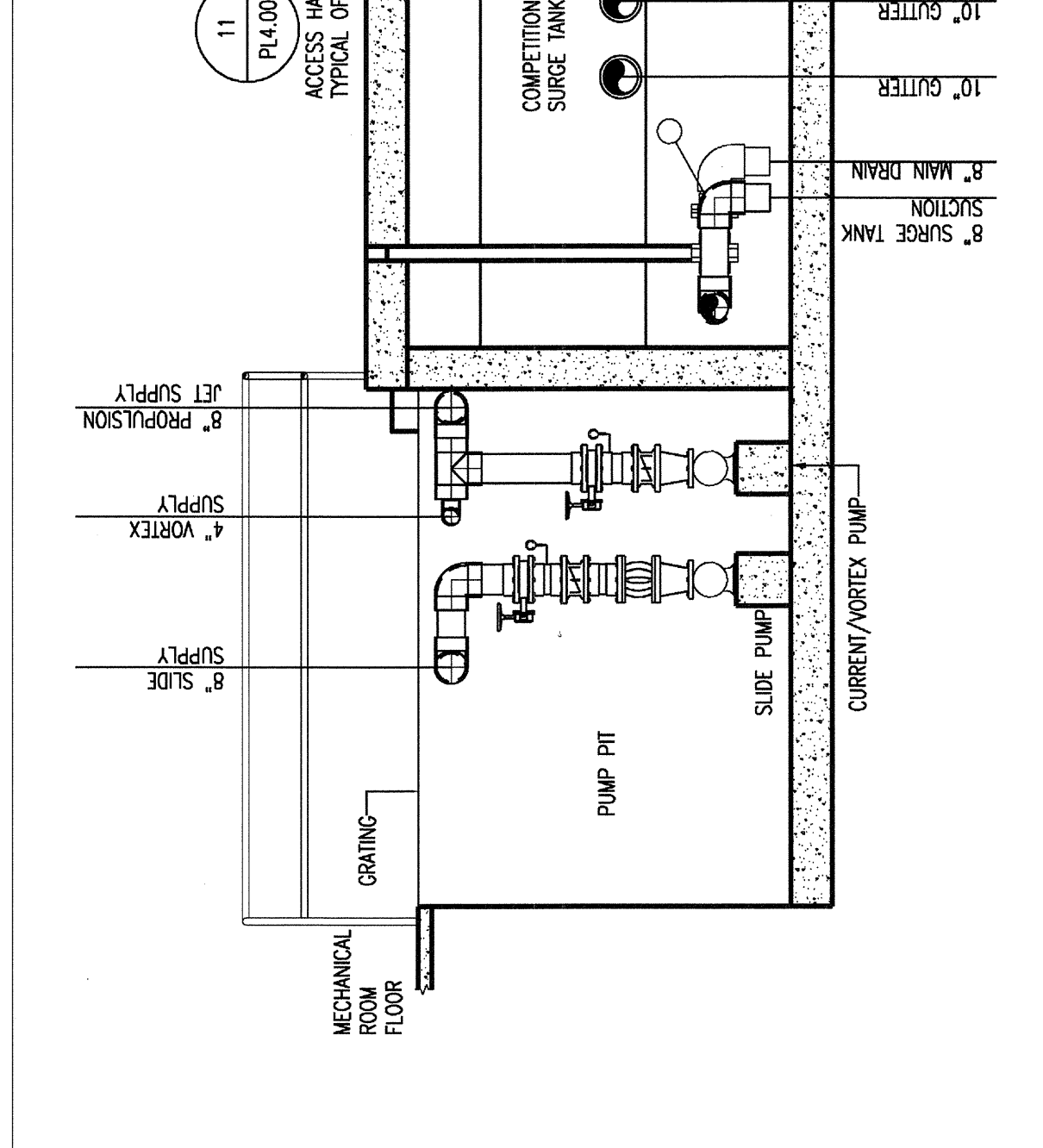
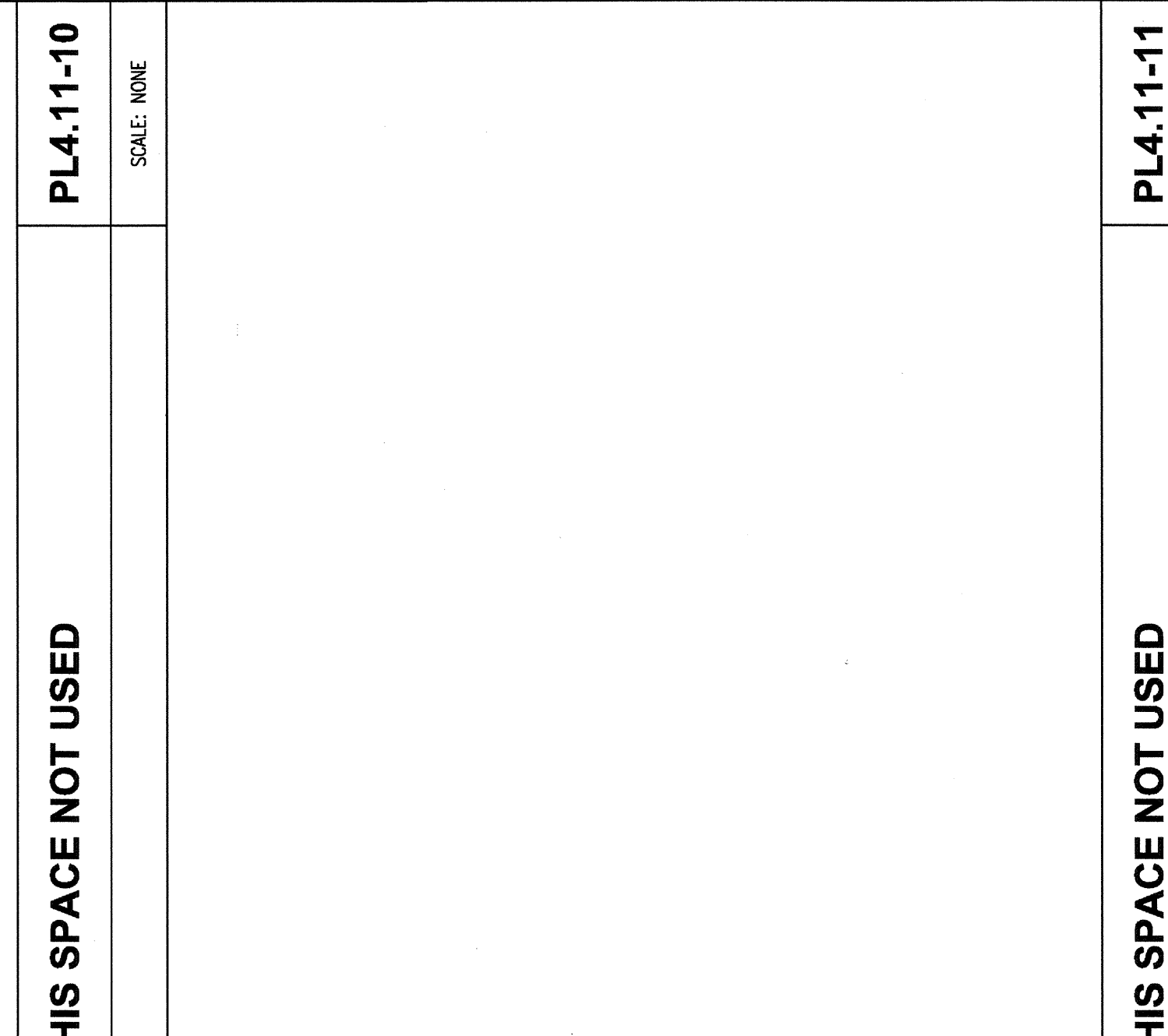
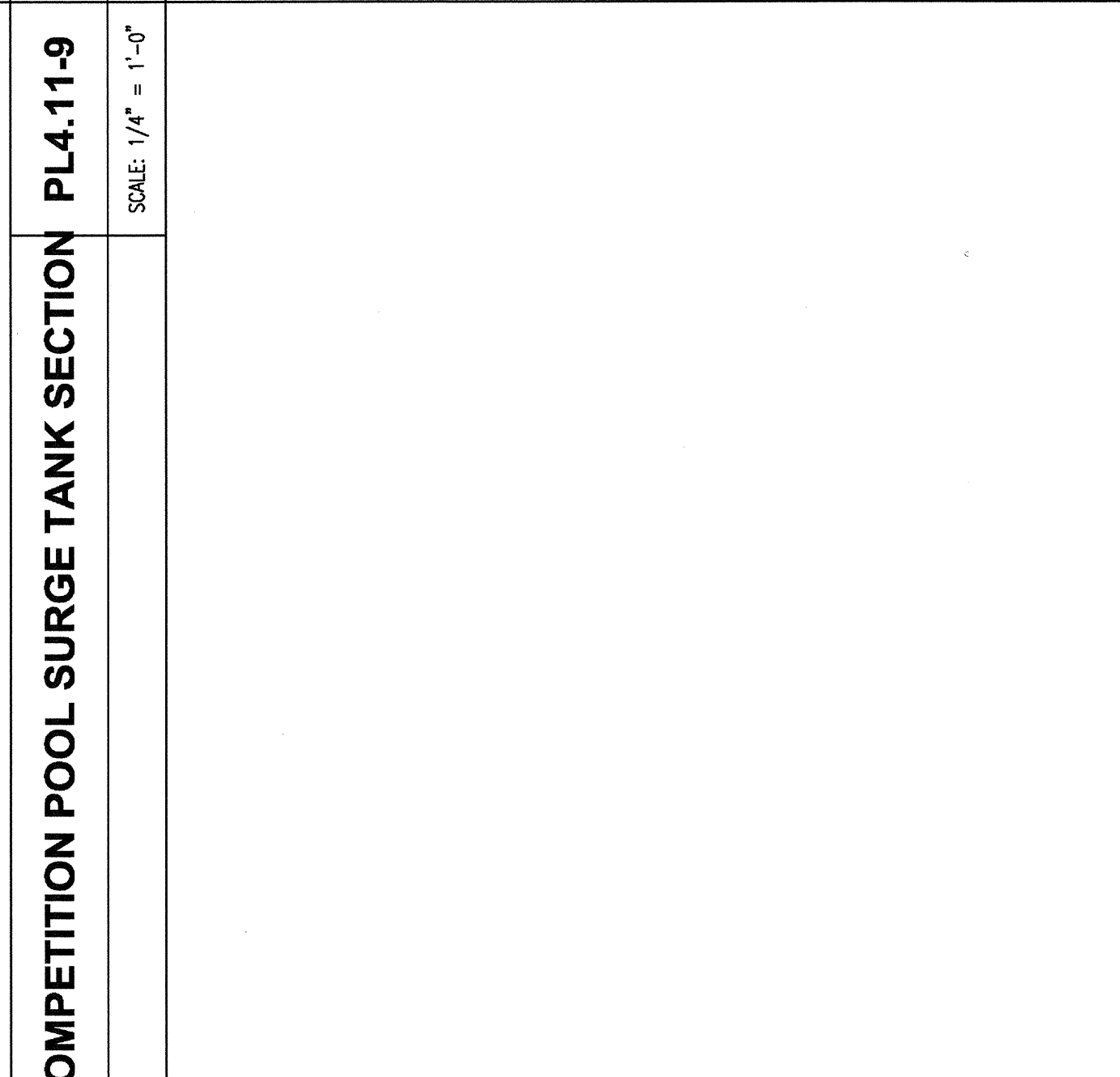
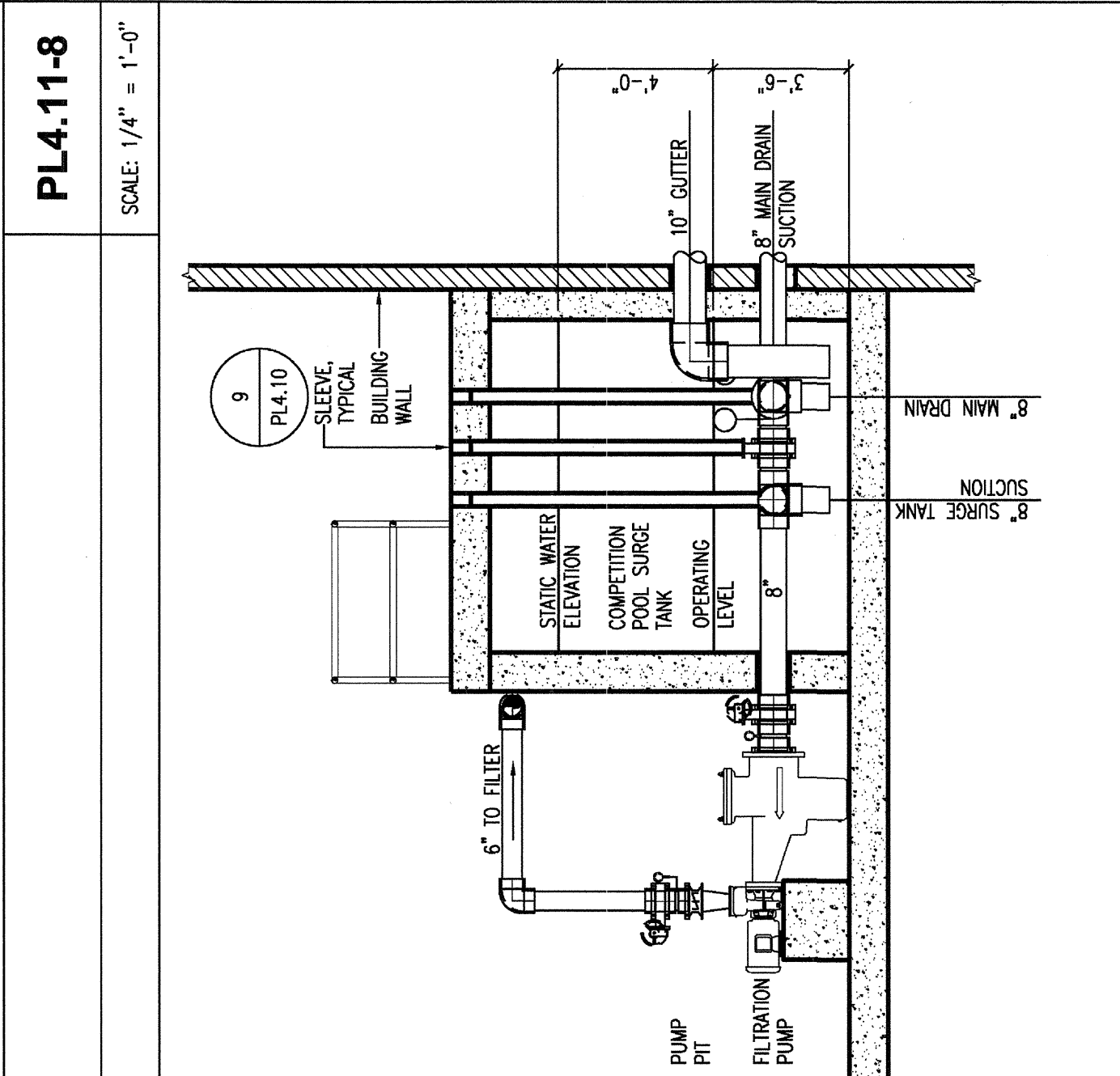
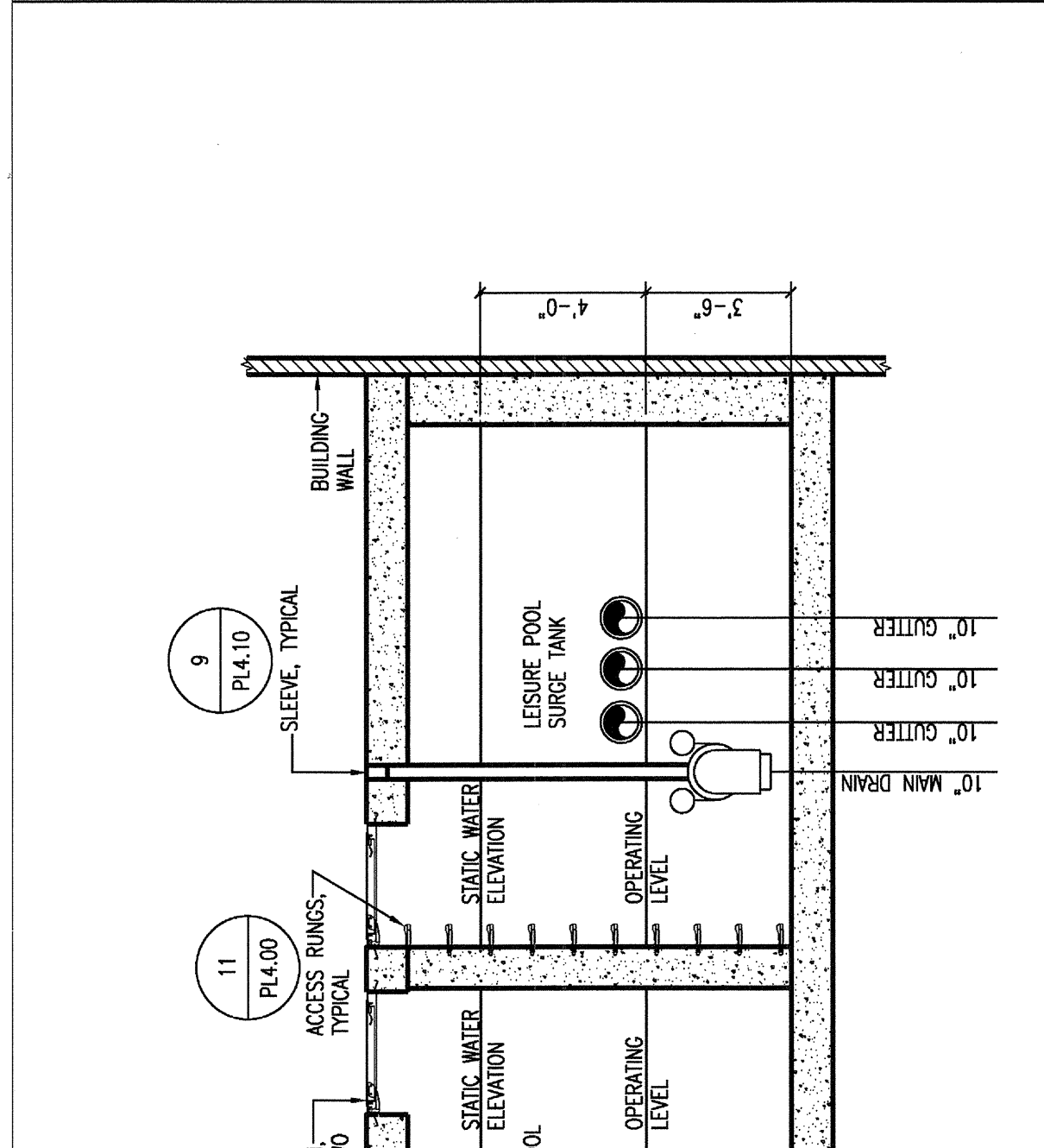
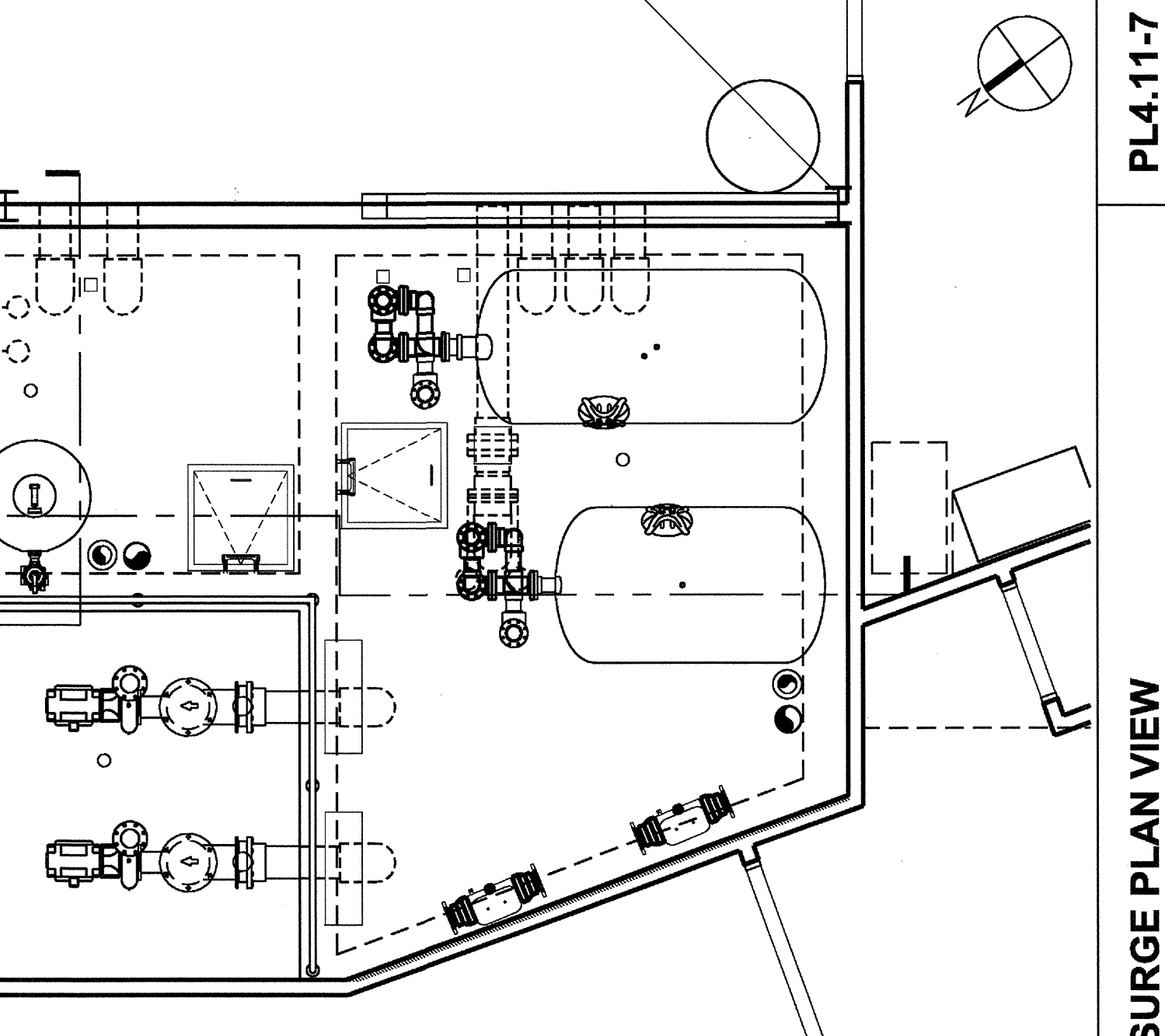
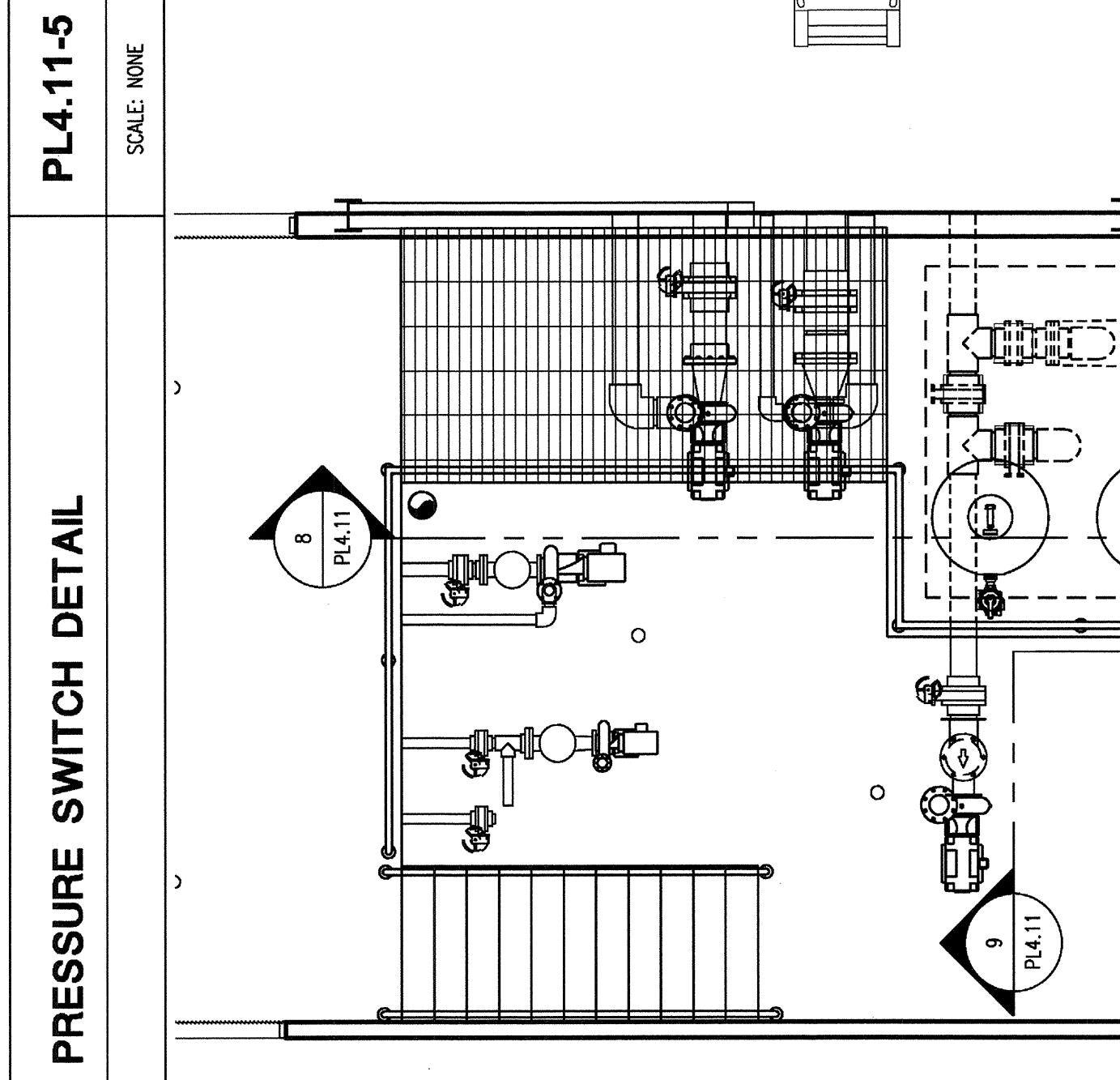
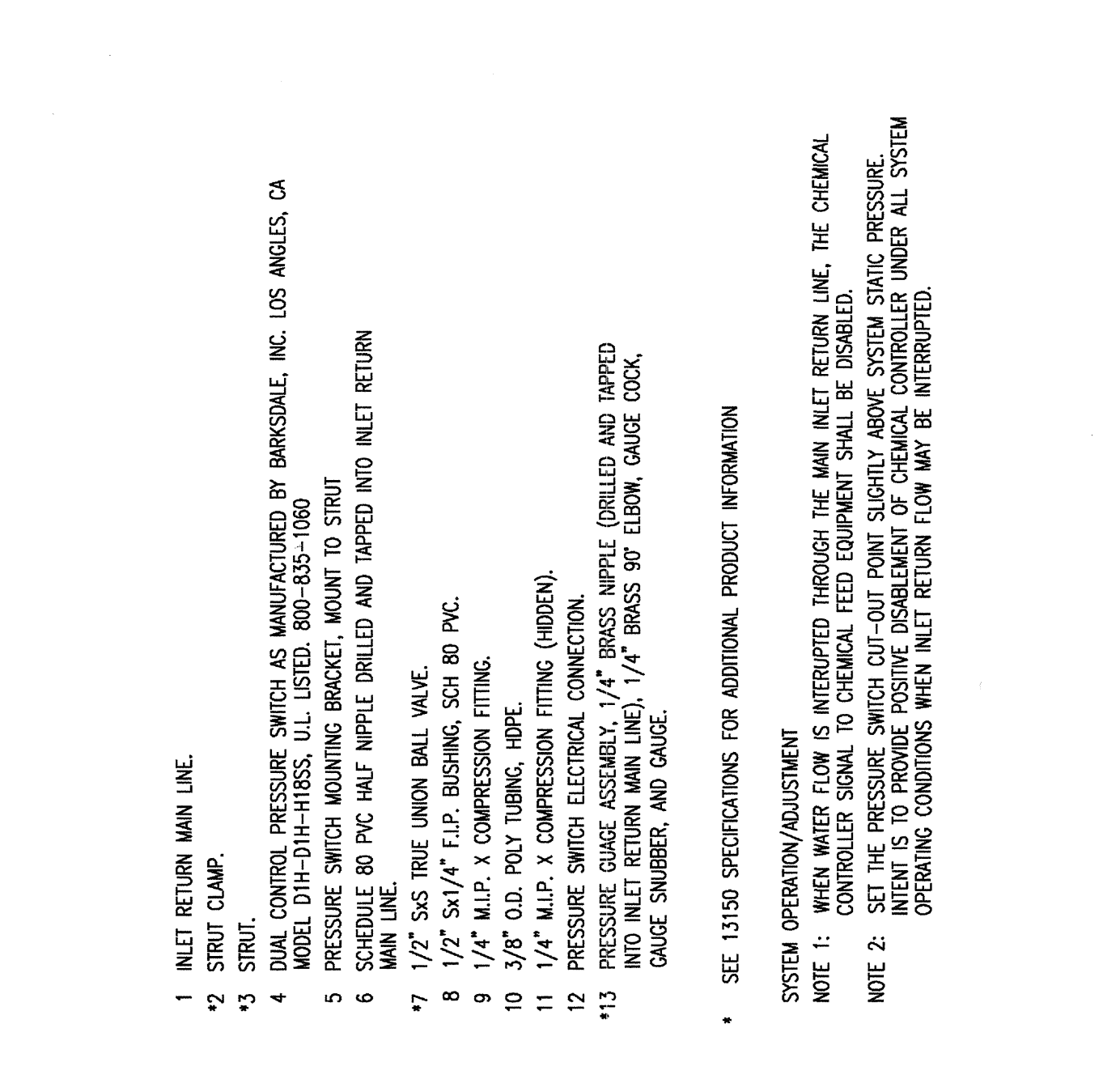
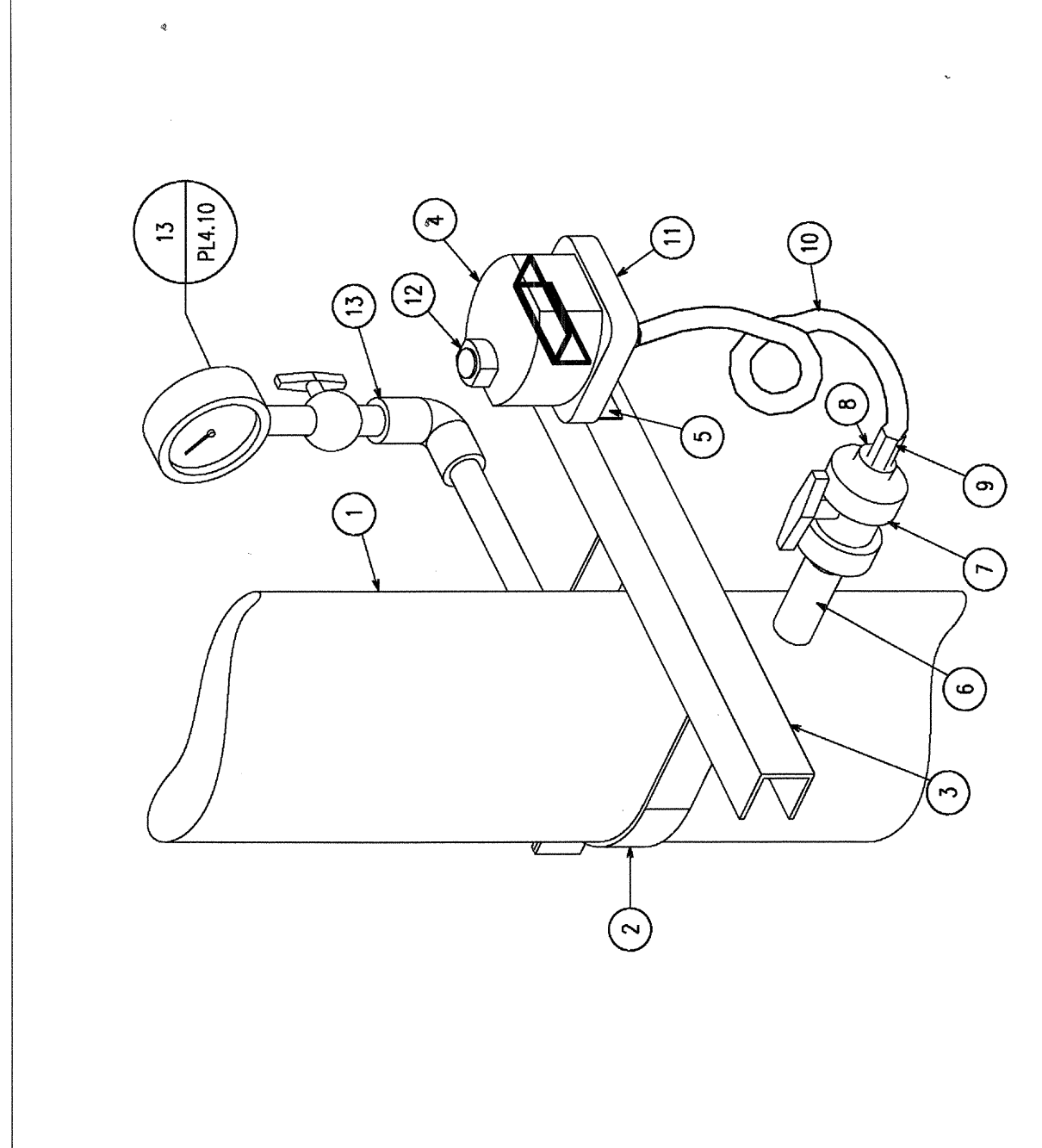
Drawn By: JH  
 Checked By: JH  
 Date: 4 / 25 / 2005  
 Project / Date: 2/7/05  
 Permit Issue: 3/18/05  
 O.A. Issue: 4/25/05  
 BID Issue: 4/25/05

Sheet Title:  
**MECHANICAL & FILTRATION DETAILS**

**PL4.11**



THIS SPACE NOT USED	PL4.11-1	SCALE: NONE
THIS SPACE NOT USED	PL4.11-2	SCALE: NONE
THIS SPACE NOT USED	PL4.11-3	SCALE: NONE
THIS SPACE NOT USED	PL4.11-4	SCALE: NONE
THIS SPACE NOT USED	PL4.11-5	SCALE: NONE
THIS SPACE NOT USED	PL4.11-6	SCALE: NONE
THIS SPACE NOT USED	PL4.11-7	SCALE: 1/4" = 1'-0"
THIS SPACE NOT USED	PL4.11-8	SCALE: 1/4" = 1'-0"
THIS SPACE NOT USED	PL4.11-9	SCALE: 1/4" = 1'-0"
THIS SPACE NOT USED	PL4.11-10	SCALE: NONE
THIS SPACE NOT USED	PL4.11-11	SCALE: NONE
THIS SPACE NOT USED	PL4.11-12	SCALE: NONE
THIS SPACE NOT USED	PL4.11-13	SCALE: NONE
THIS SPACE NOT USED	PL4.11-14	SCALE: NONE
THIS SPACE NOT USED	PL4.11-15	SCALE: NONE
THIS SPACE NOT USED	PL4.11-16	SCALE: NONE
THIS SPACE NOT USED	PL4.11-17	SCALE: NONE
THIS SPACE NOT USED	PL4.11-18	SCALE: NONE
THIS SPACE NOT USED	PL4.11-19	SCALE: NONE
THIS SPACE NOT USED	PL4.11-20	SCALE: NONE
THIS SPACE NOT USED	PL4.11-21	SCALE: NONE
THIS SPACE NOT USED	PL4.11-22	SCALE: NONE
THIS SPACE NOT USED	PL4.11-23	SCALE: NONE
THIS SPACE NOT USED	PL4.11-24	SCALE: NONE
THIS SPACE NOT USED	PL4.11-25	SCALE: NONE
THIS SPACE NOT USED	PL4.11-26	SCALE: NONE
THIS SPACE NOT USED	PL4.11-27	SCALE: NONE
THIS SPACE NOT USED	PL4.11-28	SCALE: NONE
THIS SPACE NOT USED	PL4.11-29	SCALE: NONE
THIS SPACE NOT USED	PL4.11-30	SCALE: NONE
THIS SPACE NOT USED	PL4.11-31	SCALE: NONE
THIS SPACE NOT USED	PL4.11-32	SCALE: NONE
THIS SPACE NOT USED	PL4.11-33	SCALE: NONE
THIS SPACE NOT USED	PL4.11-34	SCALE: NONE
THIS SPACE NOT USED	PL4.11-35	SCALE: NONE
THIS SPACE NOT USED	PL4.11-36	SCALE: NONE



THIS SPACE NOT USED	PL4.11-1	SCALE: NONE
THIS SPACE NOT USED	PL4.11-2	SCALE: NONE
THIS SPACE NOT USED	PL4.11-3	SCALE: NONE
THIS SPACE NOT USED	PL4.11-4	SCALE: NONE
THIS SPACE NOT USED	PL4.11-5	SCALE: NONE
THIS SPACE NOT USED	PL4.11-6	SCALE: NONE
THIS SPACE NOT USED	PL4.11-7	SCALE: NONE
THIS SPACE NOT USED	PL4.11-8	SCALE: 1/4" = 1'-0"
THIS SPACE NOT USED	PL4.11-9	SCALE: 1/4" = 1'-0"
THIS SPACE NOT USED	PL4.11-10	SCALE: NONE
THIS SPACE NOT USED	PL4.11-11	SCALE: NONE
THIS SPACE NOT USED	PL4.11-12	SCALE: NONE
THIS SPACE NOT USED	PL4.11-13	SCALE: NONE
THIS SPACE NOT USED	PL4.11-14	SCALE: NONE
THIS SPACE NOT USED	PL4.11-15	SCALE: NONE
THIS SPACE NOT USED	PL4.11-16	SCALE: NONE
THIS SPACE NOT USED	PL4.11-17	SCALE: NONE
THIS SPACE NOT USED	PL4.11-18	SCALE: NONE
THIS SPACE NOT USED	PL4.11-19	SCALE: NONE
THIS SPACE NOT USED	PL4.11-20	SCALE: NONE
THIS SPACE NOT USED	PL4.11-21	SCALE: NONE
THIS SPACE NOT USED	PL4.11-22	SCALE: NONE
THIS SPACE NOT USED	PL4.11-23	SCALE: NONE
THIS SPACE NOT USED	PL4.11-24	SCALE: NONE
THIS SPACE NOT USED	PL4.11-25	SCALE: NONE
THIS SPACE NOT USED	PL4.11-26	SCALE: NONE
THIS SPACE NOT USED	PL4.11-27	SCALE: NONE
THIS SPACE NOT USED	PL4.11-28	SCALE: NONE
THIS SPACE NOT USED	PL4.11-29	SCALE: NONE
THIS SPACE NOT USED	PL4.11-30	SCALE: NONE
THIS SPACE NOT USED	PL4.11-31	SCALE: NONE
THIS SPACE NOT USED	PL4.11-32	SCALE: NONE
THIS SPACE NOT USED	PL4.11-33	SCALE: NONE
THIS SPACE NOT USED	PL4.11-34	SCALE: NONE
THIS SPACE NOT USED	PL4.11-35	SCALE: NONE
THIS SPACE NOT USED	PL4.11-36	SCALE: NONE